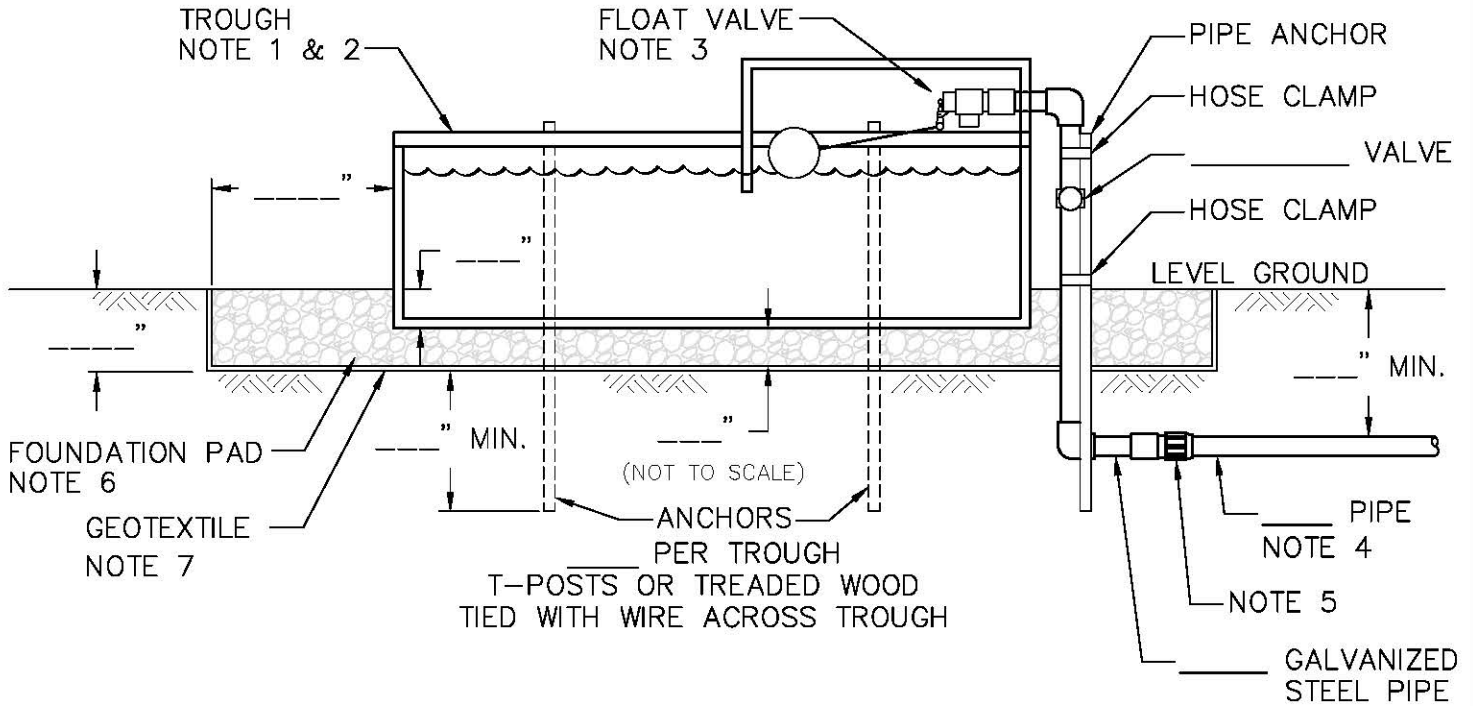




COUNTY	PROJECT				FORM NO. REV.2011
FIELD OFFICE	DRAWN BY CR	DATE 17MAY11	CHECKED BY RDF	DATE 17MAY11	HI-ENG-058
SUBJECT STANDARD TROUGH DETAIL SET IN GROUND					JOB NO.
					SHEET ____ OF ____



NOTES:

1. TROUGH VOLUME: _____
2. TROUGH MATERIAL: _____
3. FLOAT VALVE TYPE: _____
4. PIPE MATERIAL: _____
5. PIPE CONNECTOR: _____
6. FOUNDATION MATERIAL: _____
7. GEOTEXTILE MATERIAL: _____
8. CONSTRUCTION SHALL MEET NRCS WATERING FACILITY SPECIFICATION CODE 614
9. CONSTRUCTION SHALL MEET NRCS HEAVY USE AREA PROTECTION SPECIFICATION CODE 561

COMMENTS:
