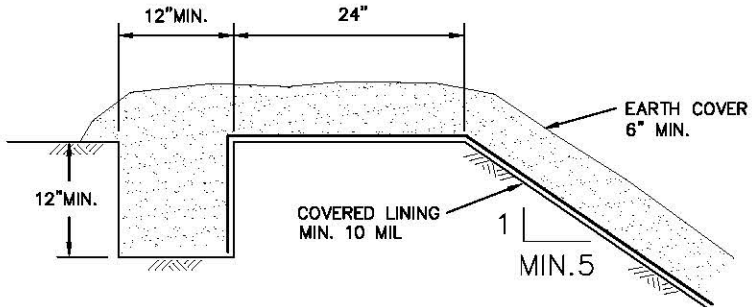
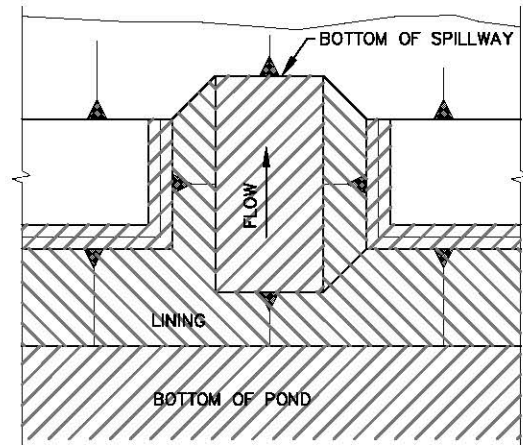




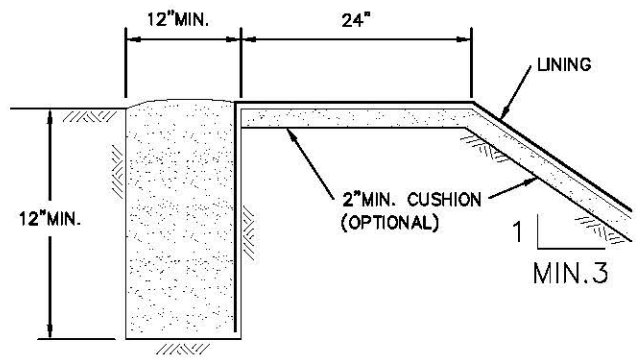
COUNTY	PROJECT			FORM NO. REV.08/11	
FIELD OFFICE	DRAWN BY	DATE	CHECKED BY	DATE	HI-ENG-017
	CR	8NOV02	JL	8NOV02	JOB NO.
SUBJECT					SHEET ____ OF ____
<b>STANDARD POND LINING DETAILS</b>					



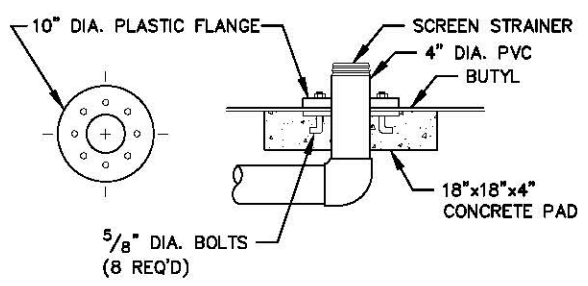
COVERED LINING DETAIL



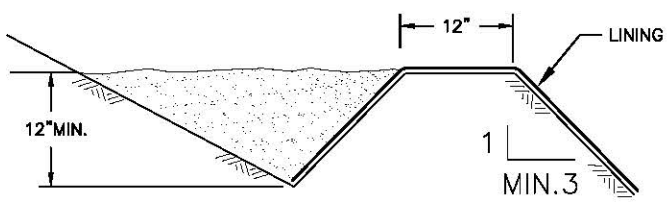
SPILLWAY LINING DETAIL



TYPICAL BURIAL TRENCH DETAIL



POND DRAIN DETAILS



ALTERNATIVE "V" TRENCH DETAIL

- NOTES:**
1. LINING SHALL CONFORM TO NRCS ENGINEERING STANDARD 521-A.
  2. LINING SHALL BE PLACED IN ACCORDANCE WITH ATTACHED NRCS SPECIFICATION.
  3. ALL DETAILS NOT TO SCALE.