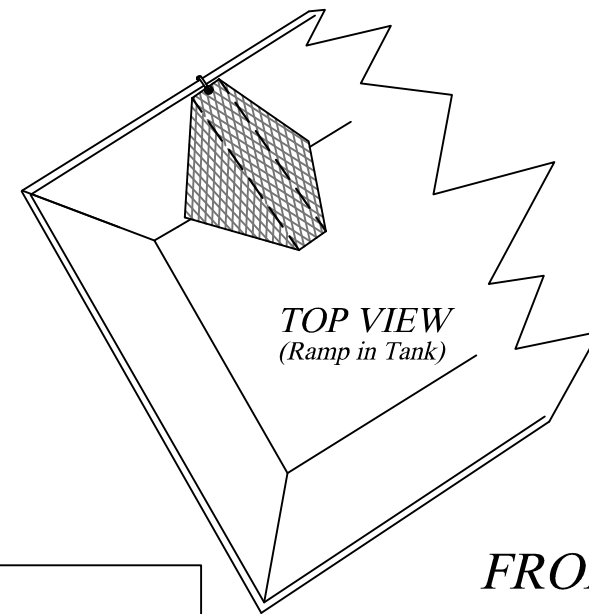
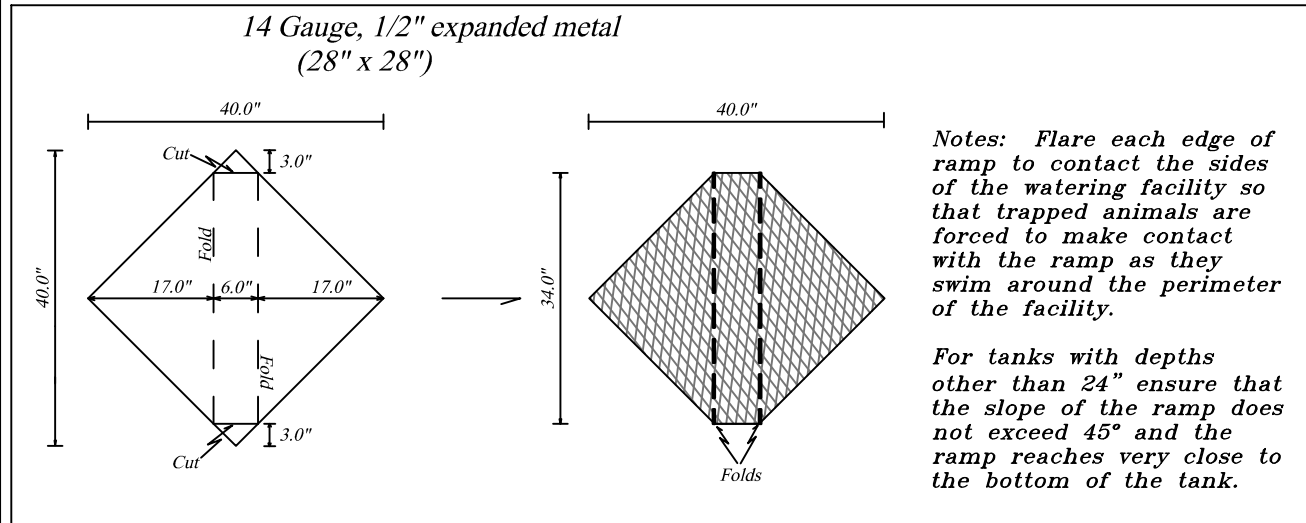
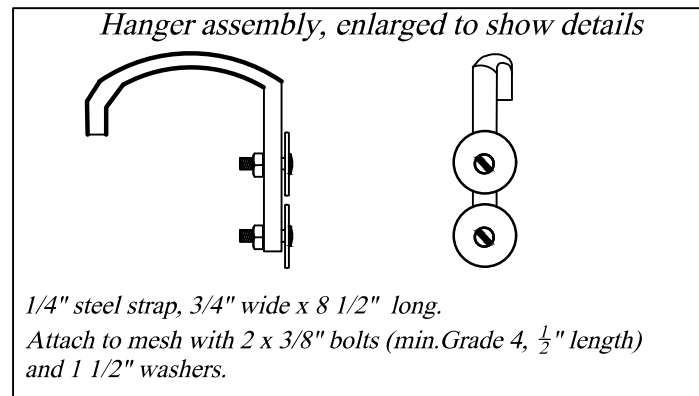
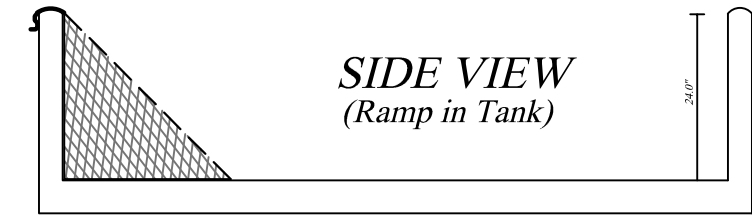


"WILDLIFE ESCAPE RAMP" DETAILS FOR 24" DEEP TANKS**

Not To Scale

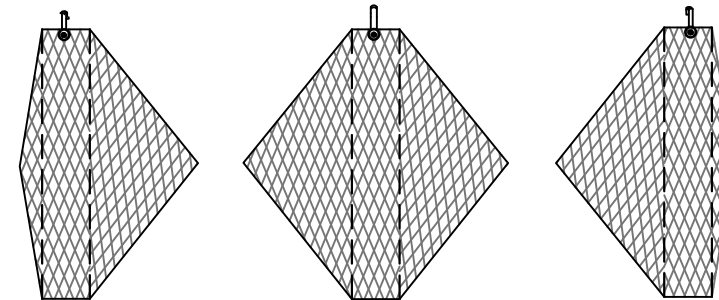


VIEW IN TANKS

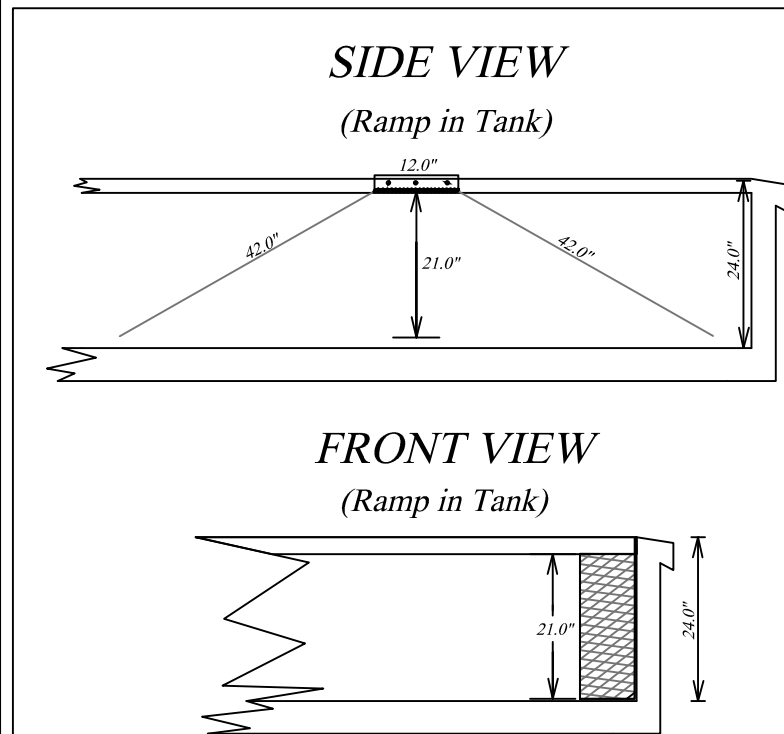
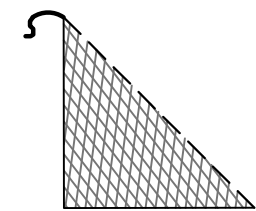


** Base material and hardware associated with the ramp shall be resistant to corrosion (galvanized steel, aluminum, stainless steel, etc). Paint shall only be used to provide protection to material damaged through welding and/or cutting. Paint shall meet the requirements of ASTM A780.

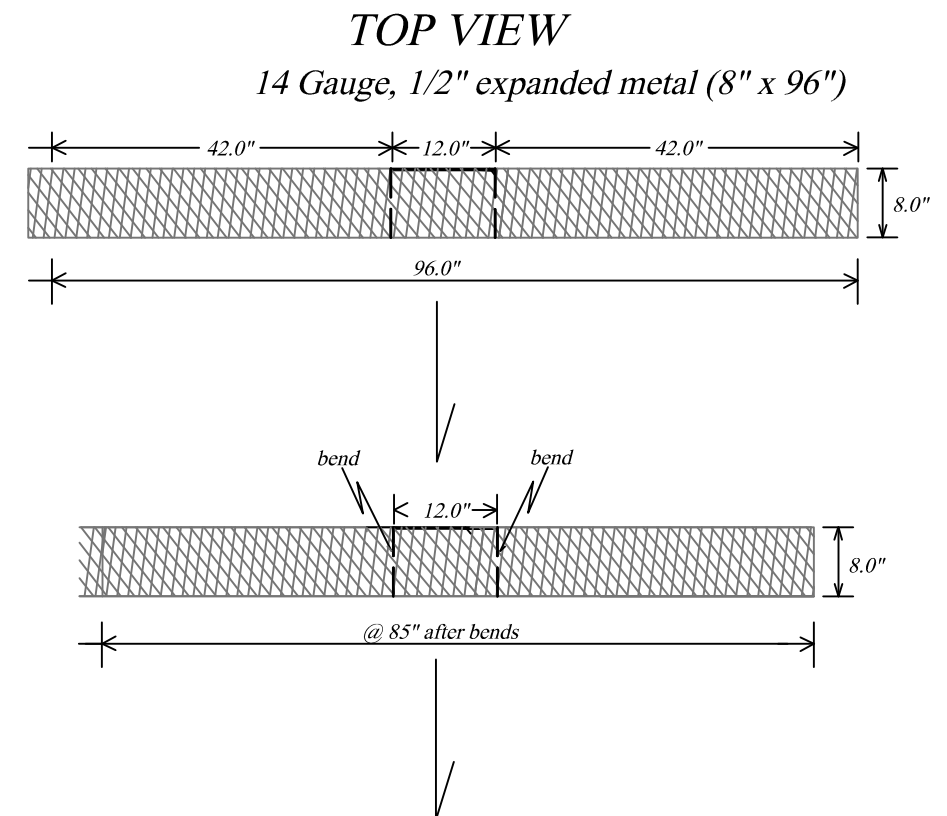
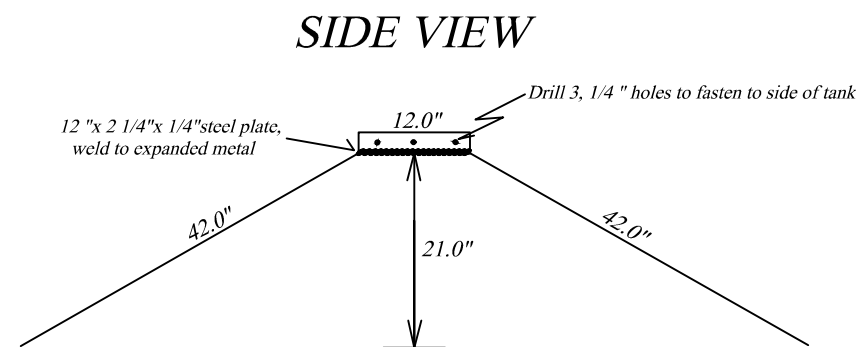
FRONT VIEWS



SIDE VIEW



ALTERNATE DESIGN DETAILS



Date _____

Designed _____

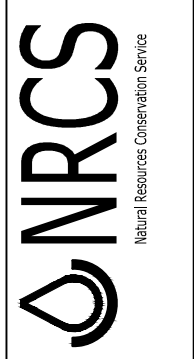
Checked _____

Approved _____

STOCK TANK WILDLIFE ESCAPE RAMP DETAILS
FOR 24" DEEP TANKS

OWNER: _____

COUNTY: _____



Drawing Number
ND-DWG-152

Date _____

Sheet of _____