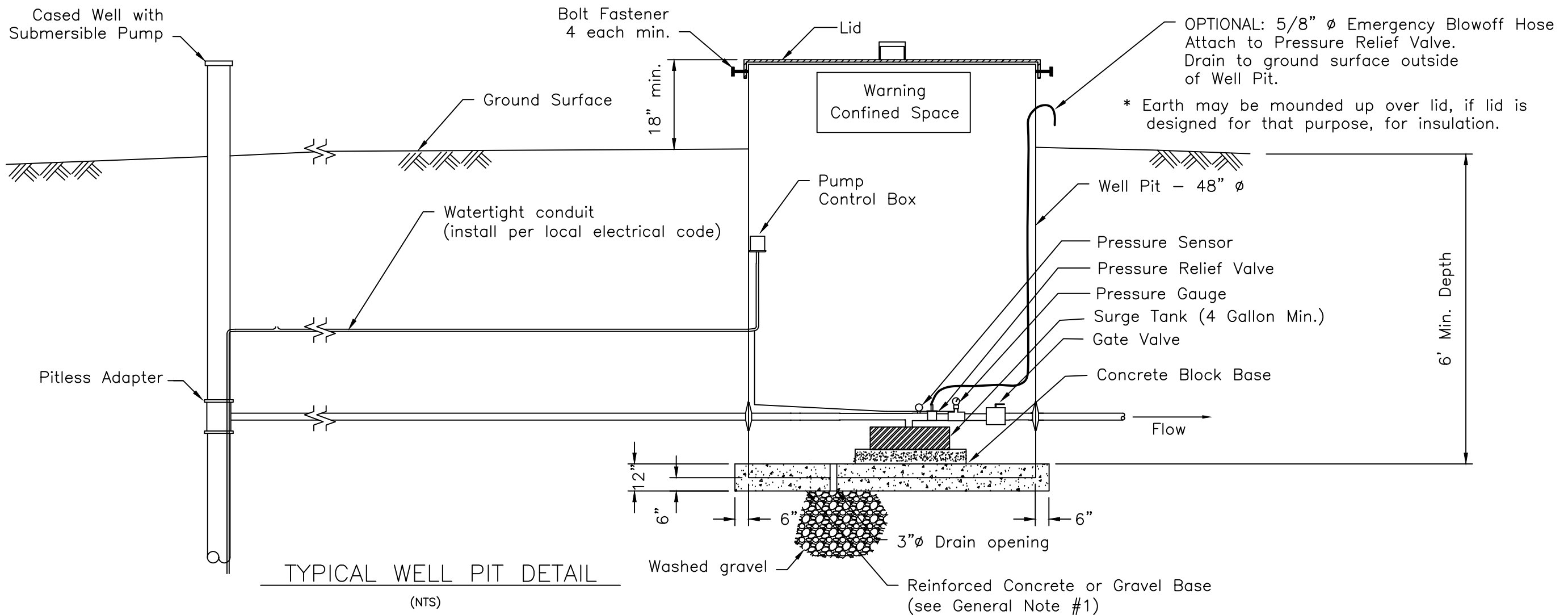


PLAN VIEW  
WELL HOUSE PROTECTION

10 feet min. for safety  
(see General Note #(3))

GENERAL NOTES

- 1) Well pits shall be a minimum of 48" diameter. Install a tight lid with fasteners, either steel or concrete. Install a permanent access ladder or steps in the well pit. Use reinforced concrete (#5 @ 12"c.c.) or gravel for the well pit base. All plumbing and electrical components to be installed according local and state building codes as applicable. Install the pump and related appurtenances according to the manufacturers' recommendations.
- 2) The following alternative materials may be used for well pits:
  - Corrugated steel pipe, ASTM 760, minimum 14 gauge, 10 mil polymer coating required for installation in corrosive soils.
  - Corrugated plastic pipe, AASHTO M294
  - Precast concrete manholes, ASTM C478
  - Precast concrete utility structure, ASTM C858
  - Reinforced concrete pipe, ASTM C14
- 3) Well pits shall be installed a minimum of 10 L.F. from the well head. NRCS recommends a setback of 30 L.F. with compacted backfill in this reach of pipe trench to reduce the possibility of asphyxiating gases entering the enclosed space and becoming a danger to those entering the pit. All well pits regardless of the proximity to the wellhead should be properly vented and caution should be exercised when entering the facility. The ND Century Code regarding wellhead completion requires a minimum of 12" of well casing above the finished ground surface at the wellhead and 24" of well casing above the highest-known flood elevation. Do not cut off the well casing below these levels for any reason. Well pits cannot be installed in areas with high or seasonal water tables.
- 4) The well pit lid must have a confined space warning sign clearly posted on it. If the culvert is buried, it must have 4" minimum diameter wooden, 2" minimum diameter steel posts, or other approved posts installed around it to prevent vehicles from driving over it.
- 5) This drawing represents a typical installation. Other types of installations may also be used with prior approval from the NRCS Technician.
- 6) Consider installing a 1500 watt electric heater in the well pit.
- 7) Variable speed drive pump controllers are best suited to function in controlled environments without moisture, dust, excessive heat or extreme cold present.



TYPICAL WELL PIT DETAIL  
(NTS)

Date \_\_\_\_\_

Designed \_\_\_\_\_

Checked \_\_\_\_\_

Approved \_\_\_\_\_

VARIABLE SPEED WELL PIT ASSEMBLY DETAILS

OWNER: \_\_\_\_\_

COUNTY: \_\_\_\_\_



Drawing Number  
ND-DWG-132

Date \_\_\_\_\_

Sheet of \_\_\_\_\_