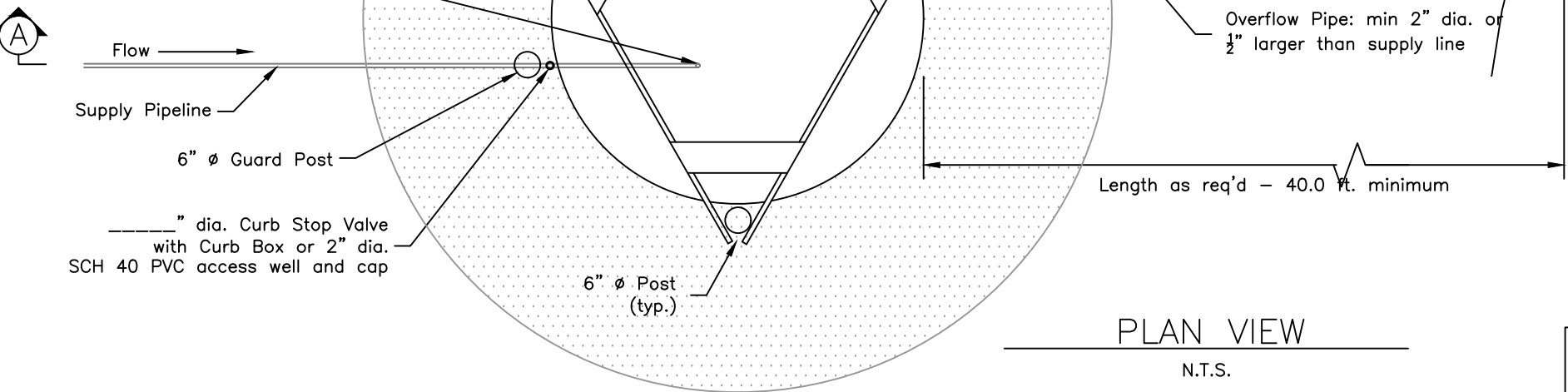


\*Note: Plans or product literature for all prefabricated stock tanks will be submitted to the NRCS by the Landowner for review and approval prior to purchase and installation. Submittals are not required if the proposed tank has been reviewed by NRCS previously and is listed by the agency as preapproved. Tanks made of steel, fiberglass, concrete and rubber tires may all be acceptable. Tank capacity will be as shown on the drawings.

\*\*Inlet (see Inlet Detail this sheet)

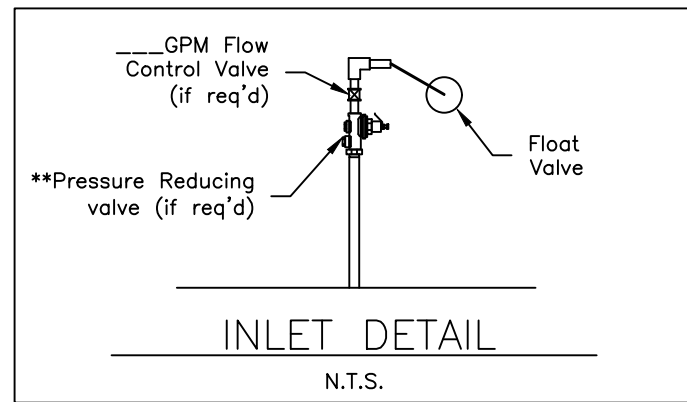


PLAN VIEW

N.T.S.

Diameter (ft)	Capacity (Gallons)		Foundation (Cu.Yd.)	Apron (Cu.Yd.)
	per inch depth	24" Depth (21" Actual)		
10	49.0	1,028	2.9	4.2
12	70.5	1,480	3.7	4.7
14	96.0	2,015	4.7	5.1
16	125.3	2,632	5.8	5.6
18	158.6	3,331	7.0	6.1
20	195.8	4,112	8.4	6.5
22	236.9	4,976	9.8	7.0
24	282.0	5,922	11.4	7.4
25	306.0	6,426	12.2	7.7
30	440.6	9,253	16.8	8.8
40	783.3	16,449	28.2	11.2
50	1,223.9	25,702	42.4	13.5

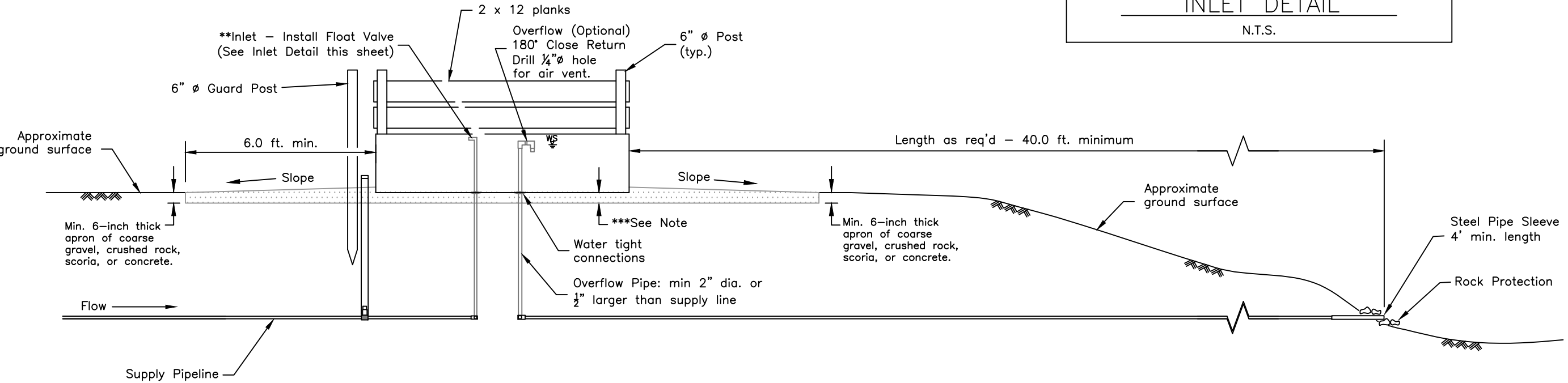
\*\*NOTE: If a Pressure Reducing Valve is required it shall provide a operating range of \_\_\_ PSI min. IN and \_\_\_ PSI OUT.



INLET DETAIL

\*\*\*Note: Install min. 6-inches of compacted fine gravel, or sand on sites with clay soils with high shrink/swell potential. Optional on lighter or gravelly soils with little or no potential for shrink/swell. In all cases the tank and apron area shall be stripped of all organics and the tank placed on a stable, well compacted foundation.

Note: Wildlife escape ramps are required by NRCS to be installed on all stock water tanks. Refer to attached drawings for specific details.



SECTION A

N.T.S.

Date \_\_\_\_\_  
 Designed \_\_\_\_\_  
 Checked \_\_\_\_\_  
 Approved \_\_\_\_\_

TYPICAL ROUND STOCK TANK INSTALLATION DETAIL

OWNER: \_\_\_\_\_  
 COUNTY: \_\_\_\_\_



Drawing Number  
 ND-DWG-106

Date \_\_\_\_\_

Sheet \_\_\_\_\_ of \_\_\_\_\_

Drawing Not to Scale