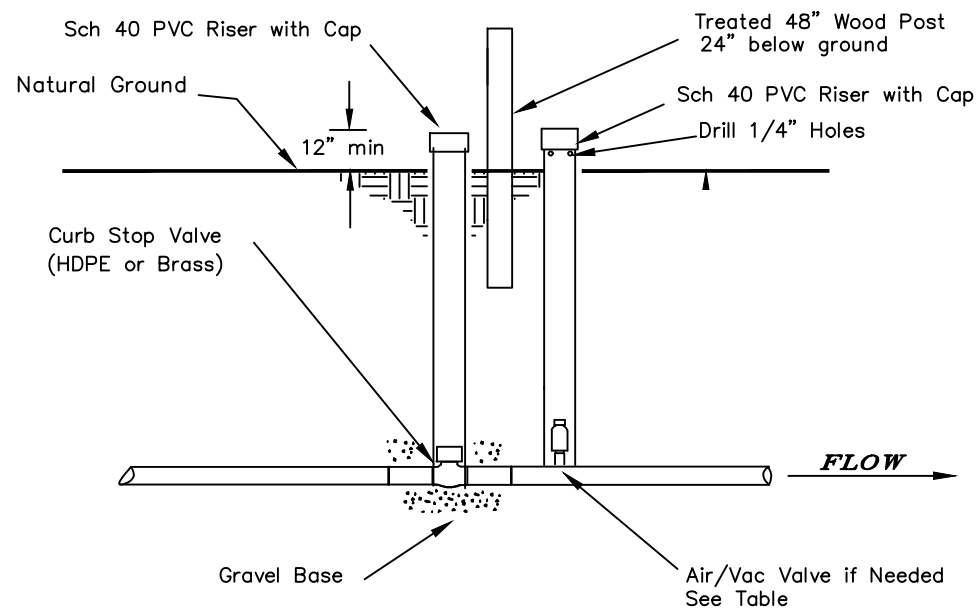
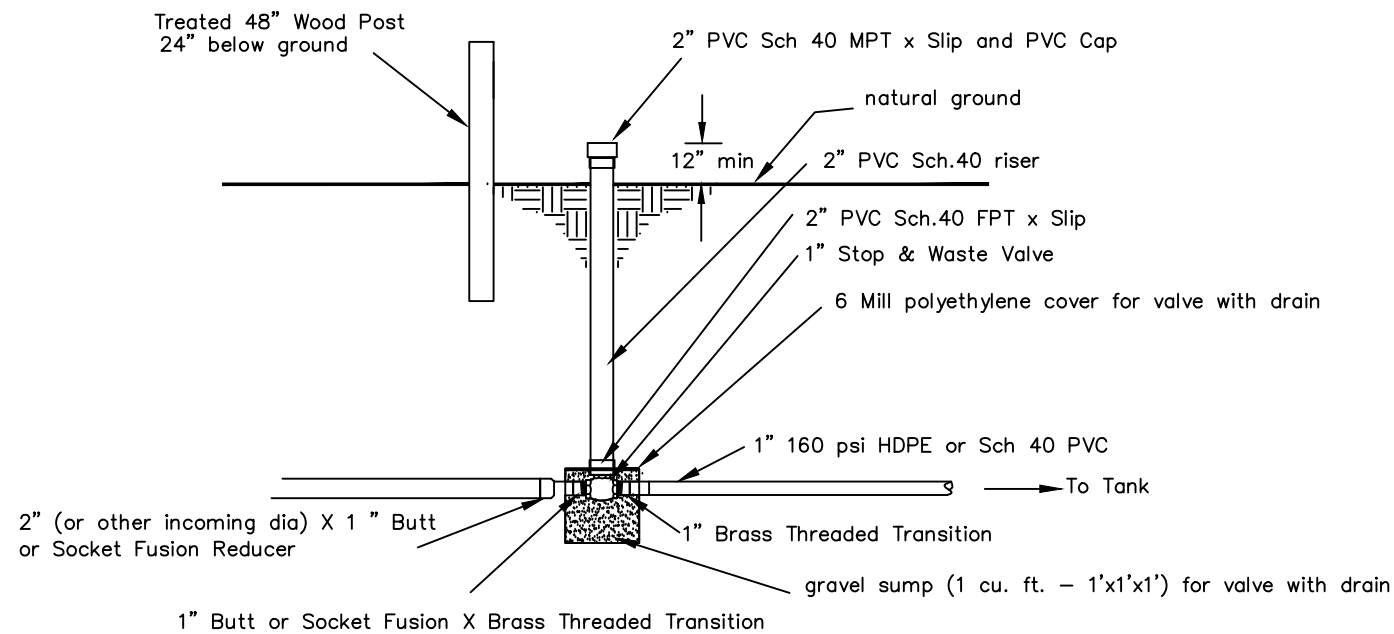


AIR/VAC RELIEF VALVE DETAIL

PIPELINE VALVE LIST		
STATION	VALVE TYPE	RISER



CURB STOP DETAIL
No drain— on high point



STOP & WASTE VALVE DETAIL AT TANK

Date _____
Designed _____
Checked _____
Approved _____

PIPELINE APPURTENANCES

OWNER: _____
COUNTY: _____



Drawing Number
ND-DWG-141

Date _____

Sheet of _____