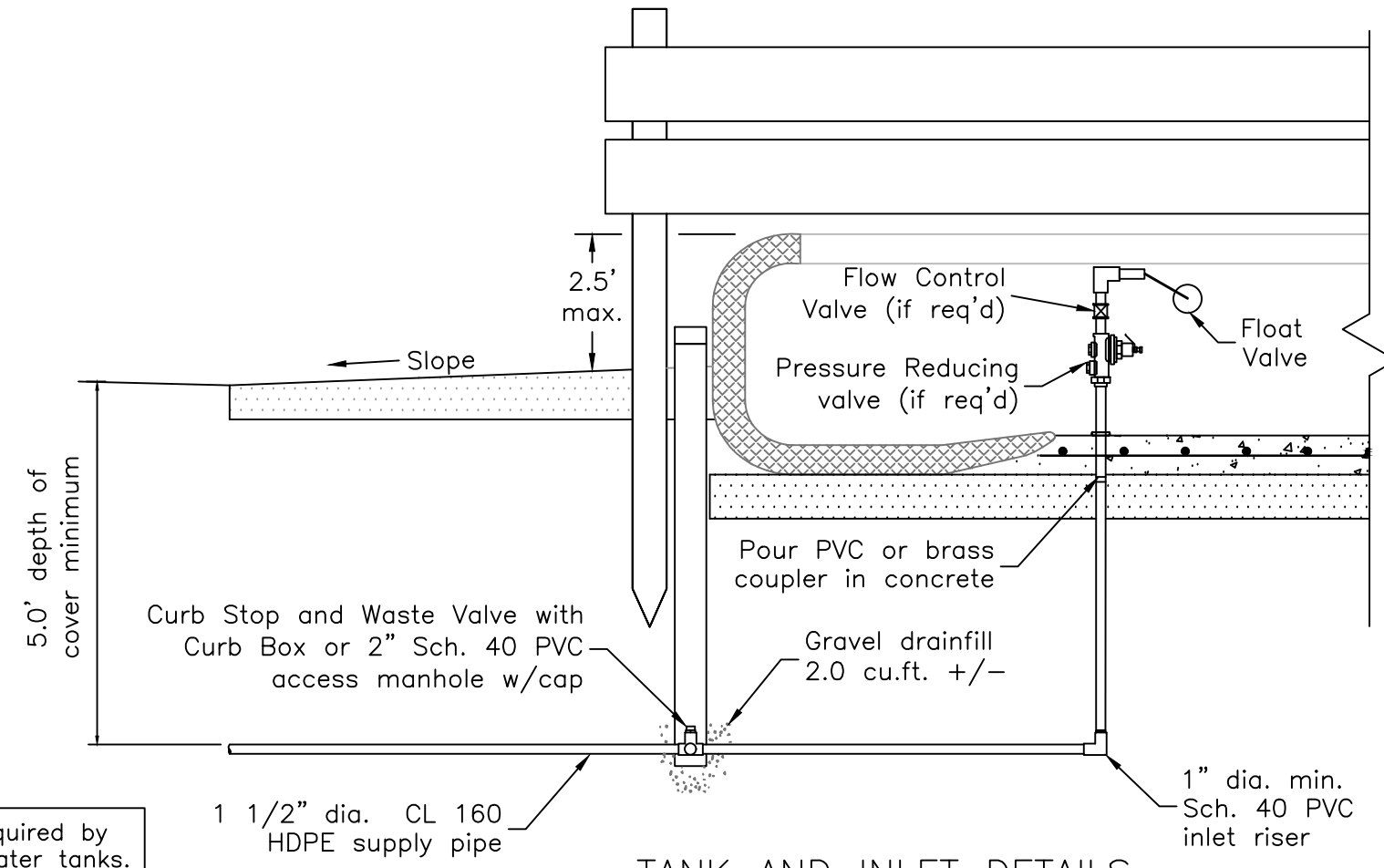


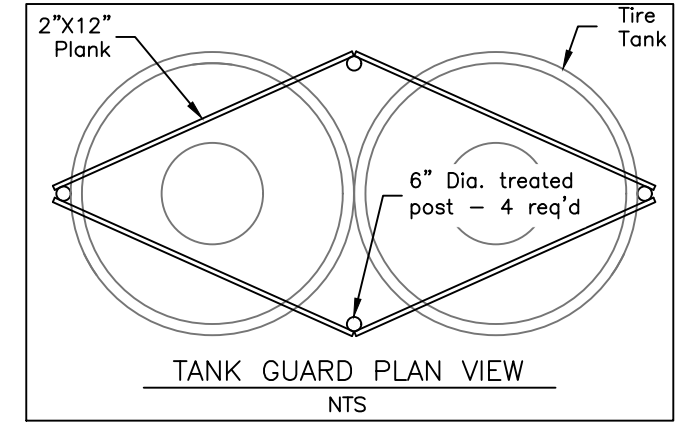
TANK AND OUTLET DETAILS  
NTS



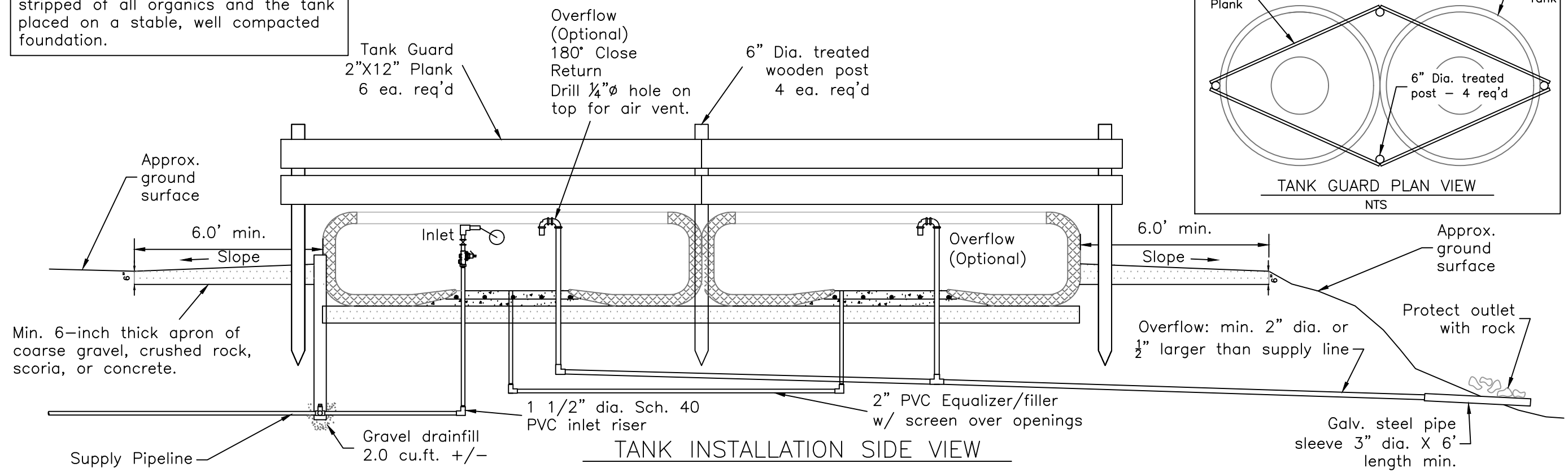
TANK AND INLET DETAILS  
NTS

**\*NOTE:**  
Install min. 6-inches of compacted fine gravel, or sand on sites with clay soils with high shrink/swell potential. Optional on lighter or gravelly soils with little or no potential for shrink/swell. In all cases the tank and apron area shall be stripped of all organics and the tank placed on a stable, well compacted foundation.

Note: Wildlife escape ramps are required by NRCS to be installed on all stock water tanks. Refer to attached drawings for specific details.



TANK GUARD PLAN VIEW  
NTS



TANK INSTALLATION SIDE VIEW

Date \_\_\_\_\_  
Designed \_\_\_\_\_  
Checked \_\_\_\_\_  
Approved \_\_\_\_\_

DUAL RUBBER TIRE TANK DETAIL

OWNER: \_\_\_\_\_  
COUNTY: \_\_\_\_\_



Drawing Number  
ND-DWG-102

Date \_\_\_\_\_

Sheet of \_\_\_\_\_