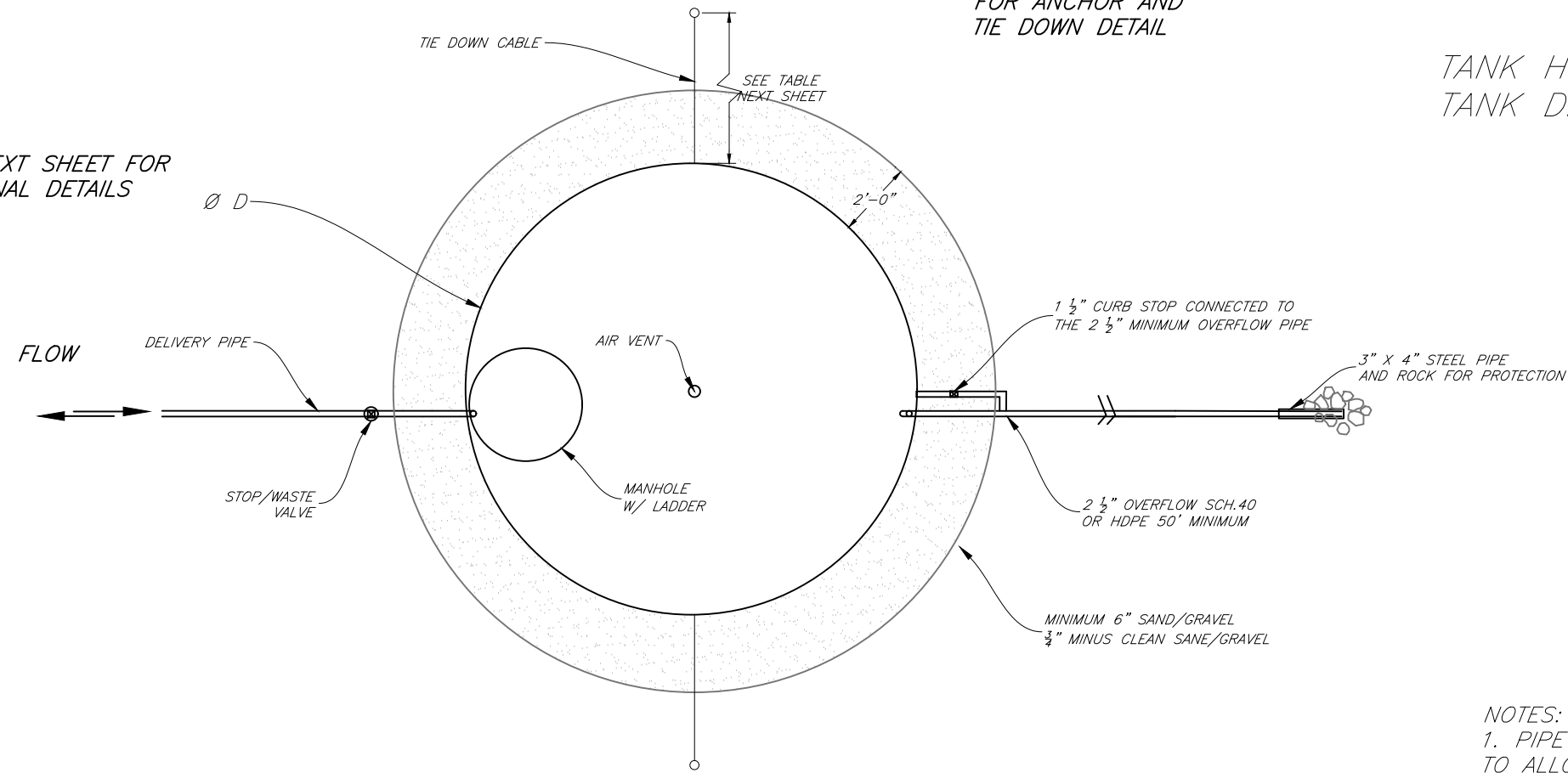


*SEE NEXT SHEET FOR ADDITIONAL DETAILS

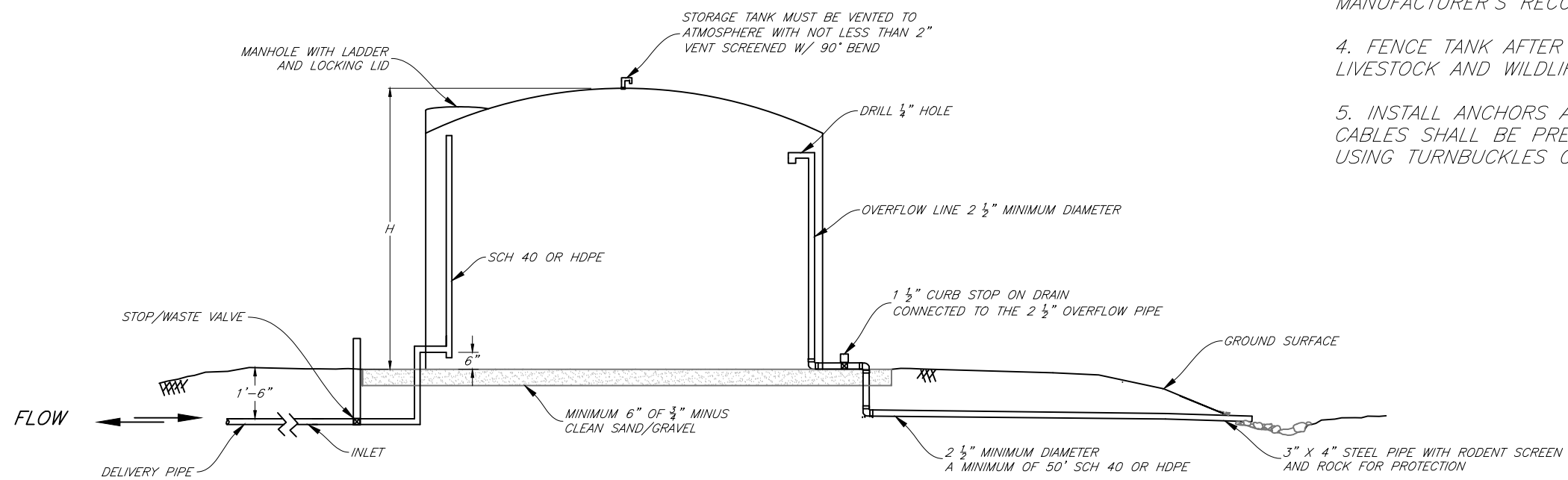


PLAN VIEW
NOT TO SCALE

TANK HEIGHT = H = ____ FT
TANK DIAMETER = D = ____ FT

NOTES:

1. PIPE BETWEEN MULTIPLE TANKS SHOULD BE FLEXIBLE TO ALLOW FOR SETTLEMENT
2. DRAIN AND FLUSH LINE SHOULD BE LOCATED AT THE BOTTOM OR AS CLOSE TO THE BOTTOM OF THE STORAGE TANK AS POSSIBLE.
3. TANK WILL BE INSTALLED ACCORDING TO THE MANUFACTURER'S RECOMMENDATIONS.
4. FENCE TANK AFTER INSTALLATION TO PROTECT FROM LIVESTOCK AND WILDLIFE.
5. INSTALL ANCHORS AND CABLES PER DETAIL DRAWING. CABLES SHALL BE PRE-TENSIONED DURING INSTALLATION USING TURNBUCKLES OR OTHER HARDWARE.



ELEVATION VIEW
NOT TO SCALE

Date _____
Designed _____
Checked _____
Approved _____

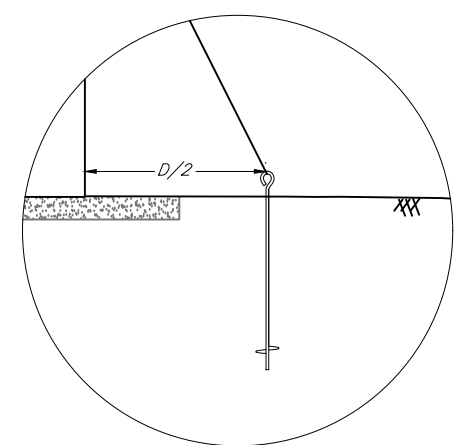
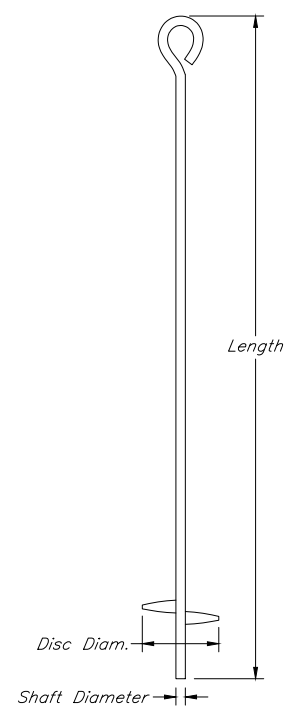
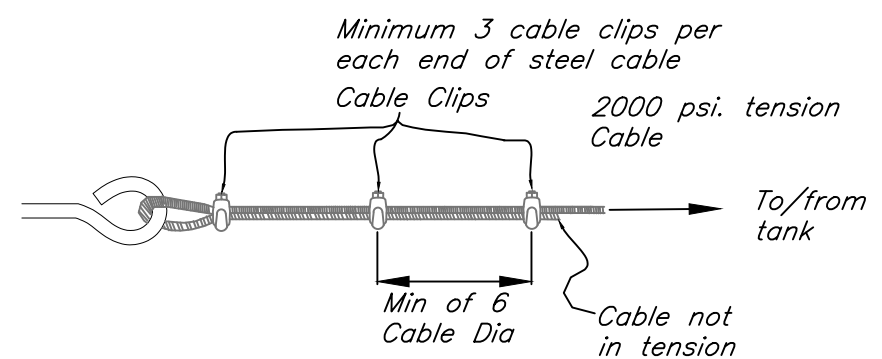
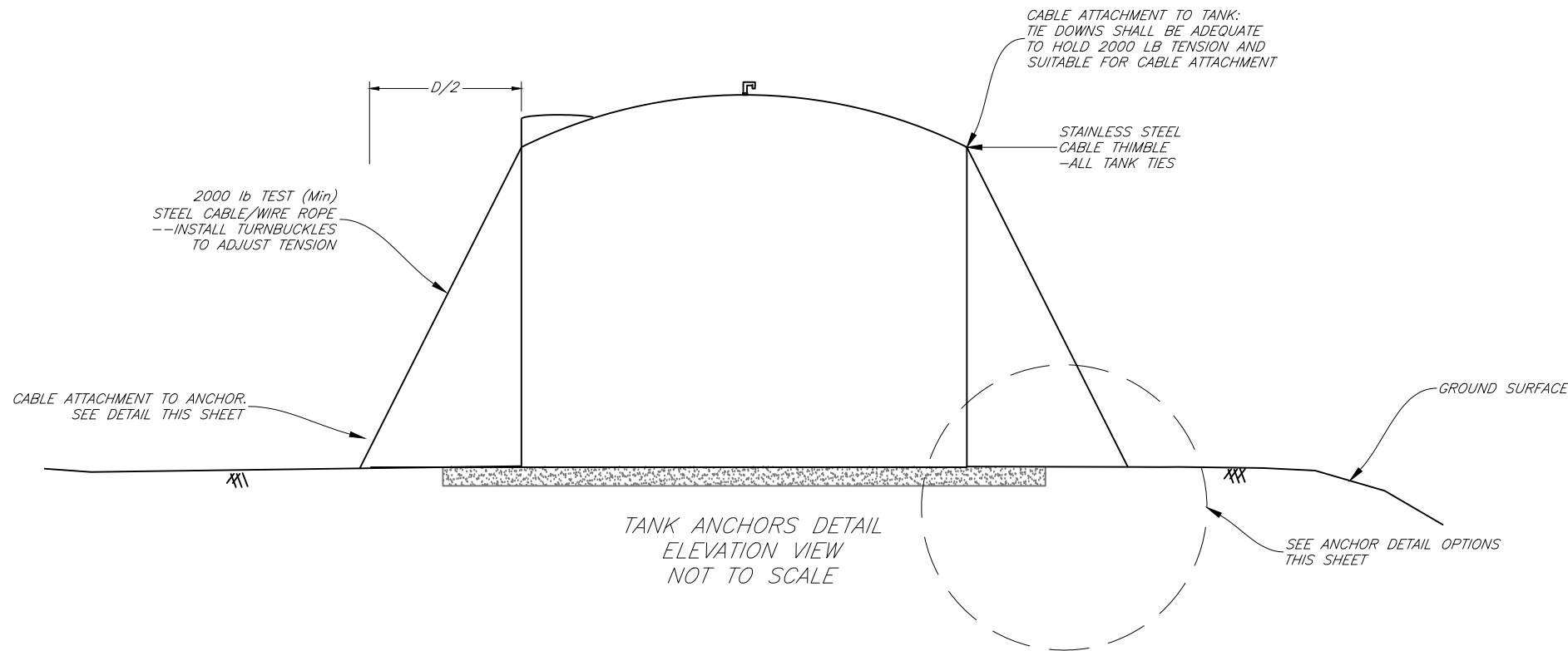
ABOVEGROUND FIBERGLASS CISTERN
DETAIL
OWNER: _____
COUNTY: _____



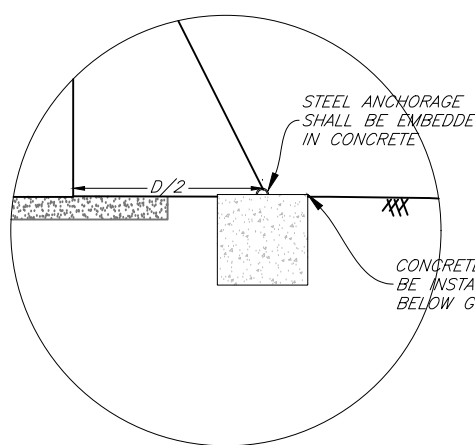
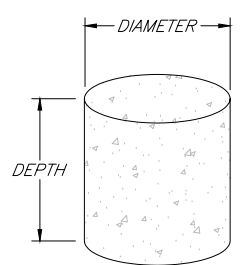
Drawing Number
ND-DWG-100a

Date _____

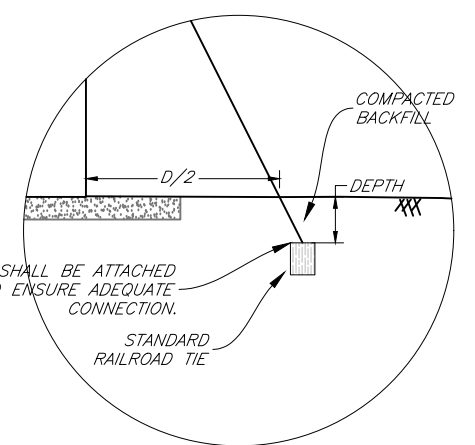
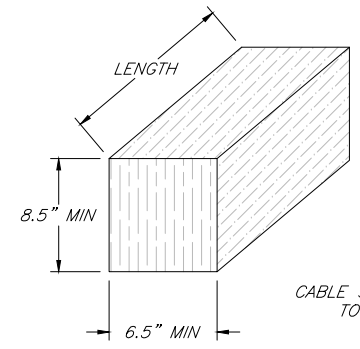
Sheet of _____



GROUND ANCHOR ELEVATION VIEW NOT TO SCALE



CONCRETE ANCHOR ELEVATION VIEW NOT TO SCALE



RAIL TIE ANCHOR ELEVATION VIEW NOT TO SCALE

Minimum Earth Anchor Requirements			
No. Anchors	Length (in)	Shaft Diameter (in)	Disc Diameter (in)
2	43	5/8	3

Min. Concrete Anchor Requirements		
No. Anchors	Diameter (ft)	Depth (ft)
2	2	2.5

Min. Rail Tie Anchor Requirements		
No. Anchors	Length (ft)	Depth of Bury (ft)
2	4	3

Date _____

Designed _____

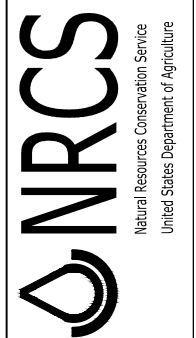
Checked _____

Approved _____

ABOVEGROUND FIBERGLASS CISTERN ANCHORING DETAIL

OWNER: _____

COUNTY: _____



Drawing Number ND-DWG-100b

Date _____

Sheet _____ of _____