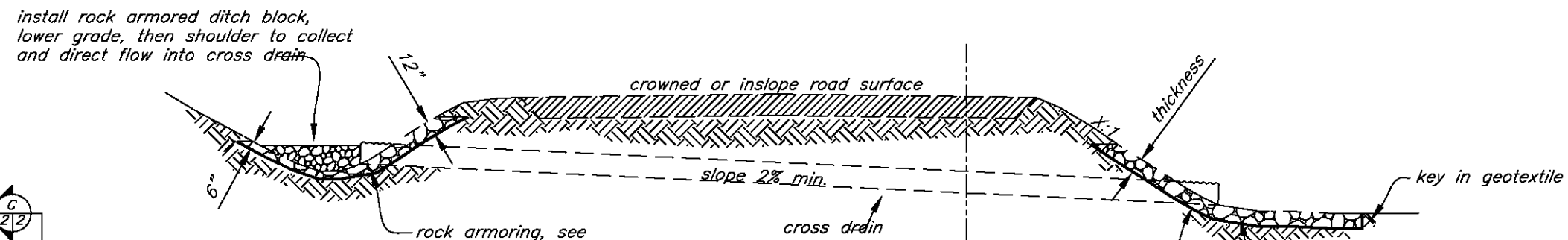
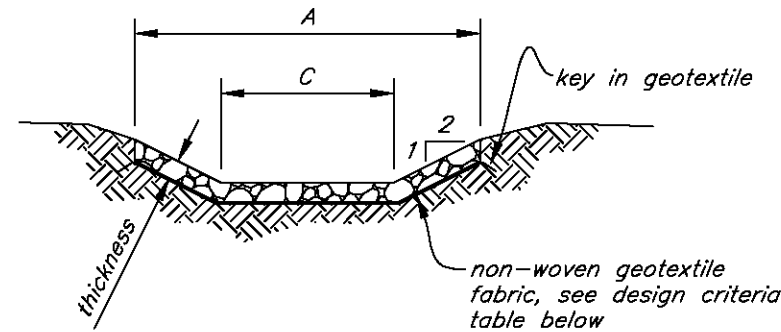


ROCK OUTLET DETAIL

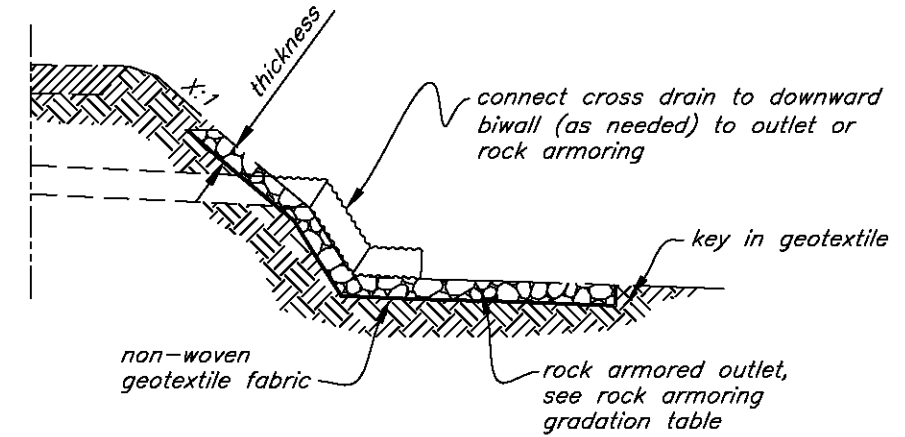


SECTION A-A

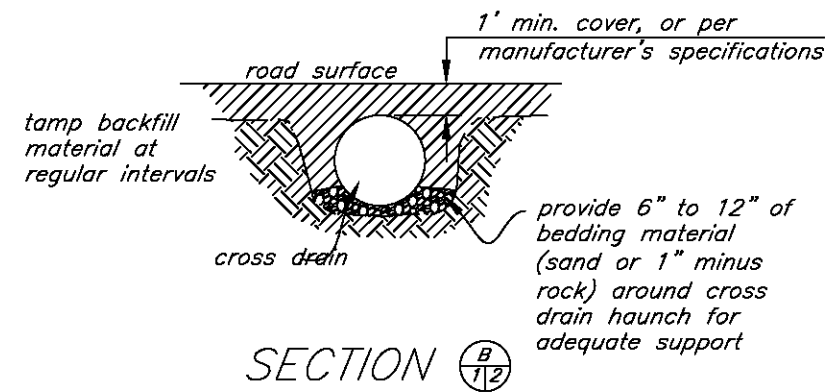
ALTERNATE #1 OUTLET



SECTION C-C



ALTERNATE #2 OUTLET



SECTION B-B

DESIGN CRITERIA

- A \_\_\_\_\_ (ft)
- B \_\_\_\_\_ (ft)
- C \_\_\_\_\_ (ft)
- thickness = 1.5 x D<sub>50</sub> \_\_\_\_\_ (in)
- X:1 \_\_\_\_\_ (3:1 min.)
- Geotextile fabric \_\_\_\_\_ (insert specifications)

Date	_____
Designed	_____
Drawn	_____
Checked	_____
Approved	_____
Title	_____

ROCK ARMORING DETAILS FOR CROSS DRAIN

PRACTICE STANDARD 560 - ACCESS ROADS



File Name  
access\_roads.dwg  
Drawing No.

Drawing not to scale

Sheet of