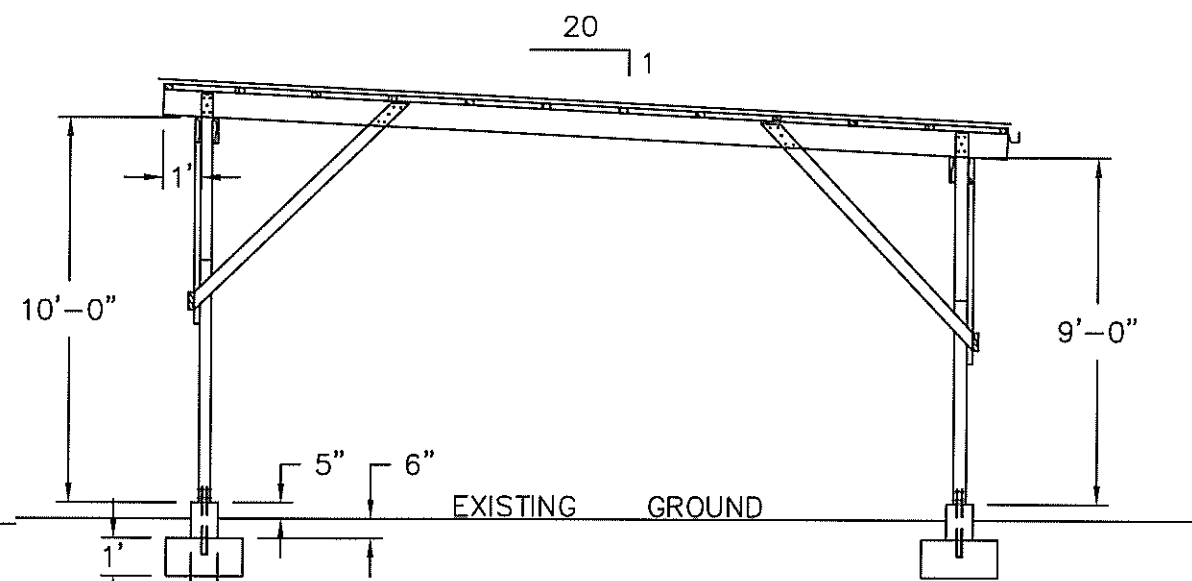


FRONT VIEW

5 0 5

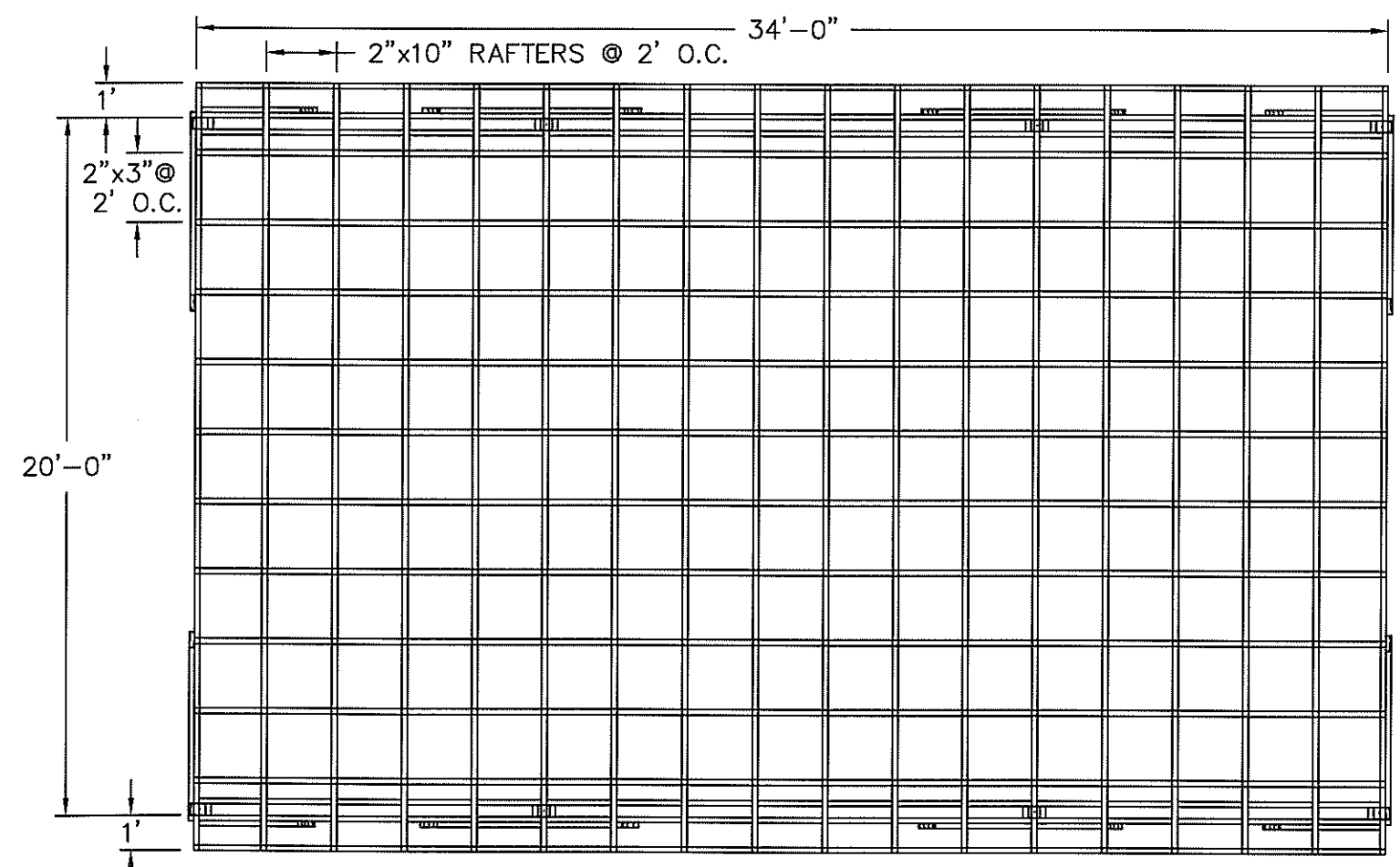
Scale in feet



ELEVATION VIEW

5 0 5

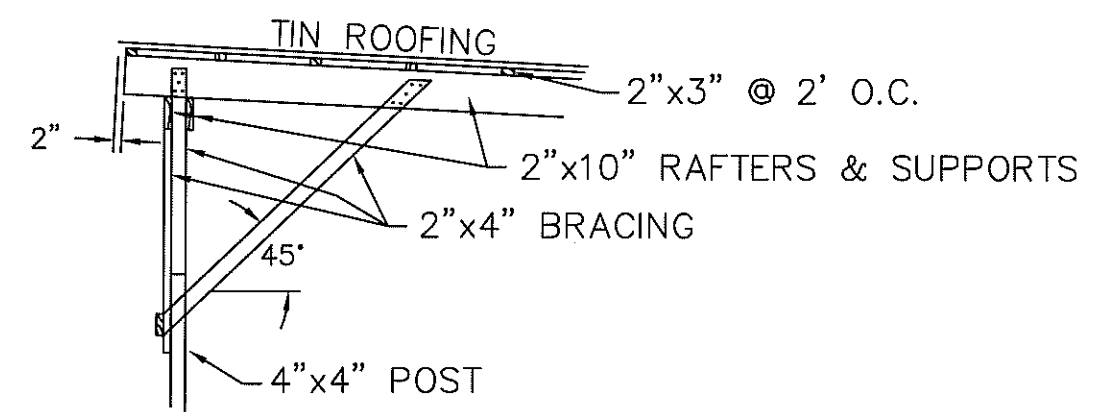
Scale in feet



PLAN VIEW

5 0 5

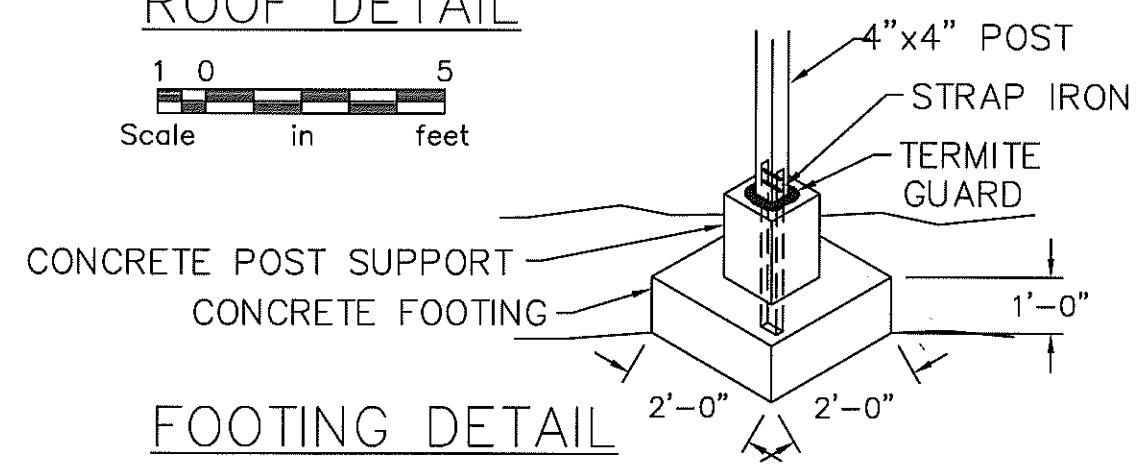
Scale in feet



ROOF DETAIL

1 0 5

Scale in feet



FOOTING DETAIL

1 0 5

Scale in feet

Date	MAR05
Designed: AS	
Drawn by: CLR	
Checked: JL	
Approved: DT	

VIEWS AND DETAILS
TANK SHED

