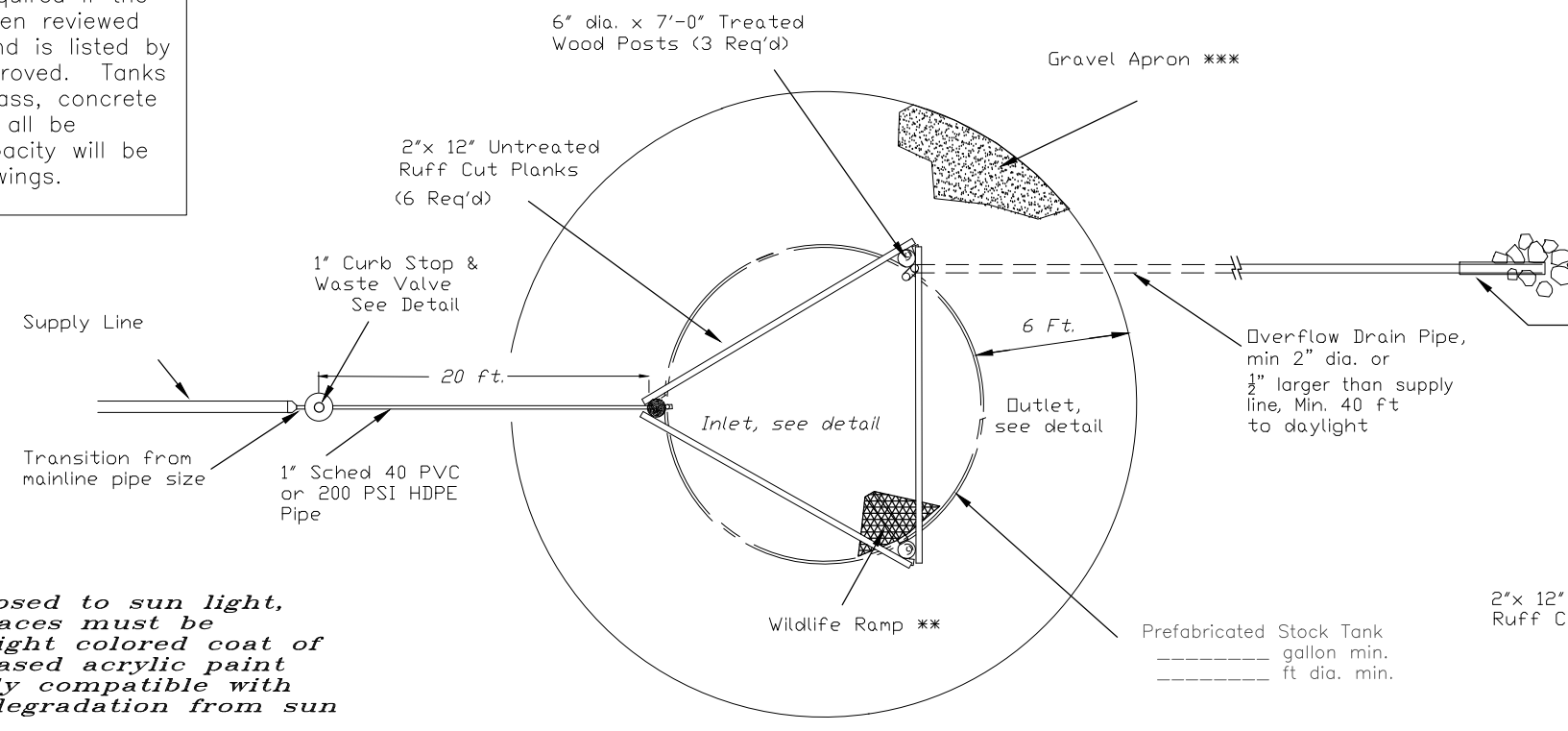


*Note: Plans or product literature for all prefabricated stock tanks will be submitted to the NRCS by the Landowner for review and approval prior to purchase and installation. Submittals are not required if the proposed tank has been reviewed by NRCS previously and is listed by the agency as preapproved. Tanks made of steel, fiberglass, concrete and rubber tires may all be acceptable. Tank capacity will be as shown on the drawings.



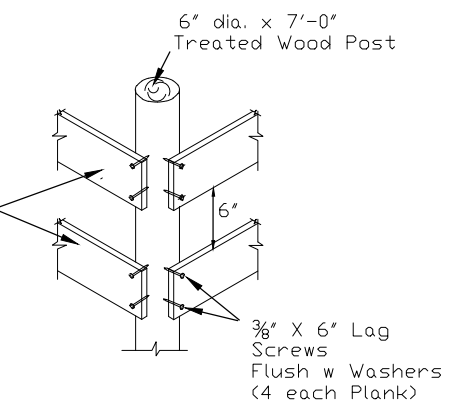
Diameter (ft)	Capacity (Gallons)		Foundation (Cu.Yd.)	Apron (Cu.Yd.)
	per inch depth	24" Depth (21" Actual)		
10	49.0	1,028	2.9	4.2
12	70.5	1,480	3.7	4.7
14	96.0	2,015	4.7	5.1
16	125.3	2,632	5.8	5.6
18	158.6	3,331	7.0	6.1
20	195.8	4,112	8.4	6.5
22	236.9	4,976	9.8	7.0
24	282.0	5,922	11.4	7.4
25	306.0	6,426	12.2	7.7
30	440.6	9,253	16.8	8.8
40	783.3	16,449	28.2	11.2
50	1,223.9	25,702	42.4	13.5

Note: When PVC is exposed to sun light, the exposed surfaces must be painted with a light colored coat of latex or water based acrylic paint that is chemically compatible with PVC to prevent degradation from sun light.

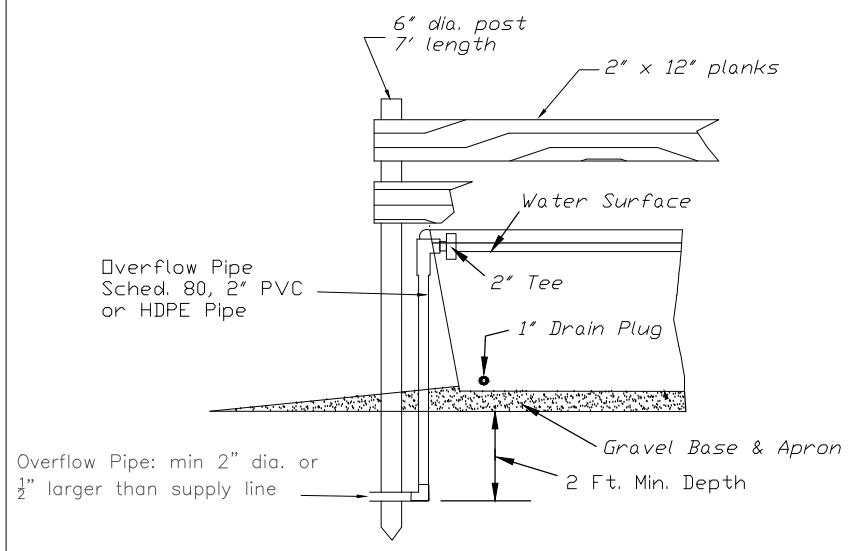
***Note: Install min. 6-inches of compacted fine gravel, or sand on sites with clay soils with high shrink/swell potential. Optional on lighter or gravelly soils with little or no potential for shrink/swell. In all cases the tank and apron area shall be stripped of all organics and the tank placed on a stable, well compacted foundation.

TYPICAL TANK LAYOUT PLAN VIEW

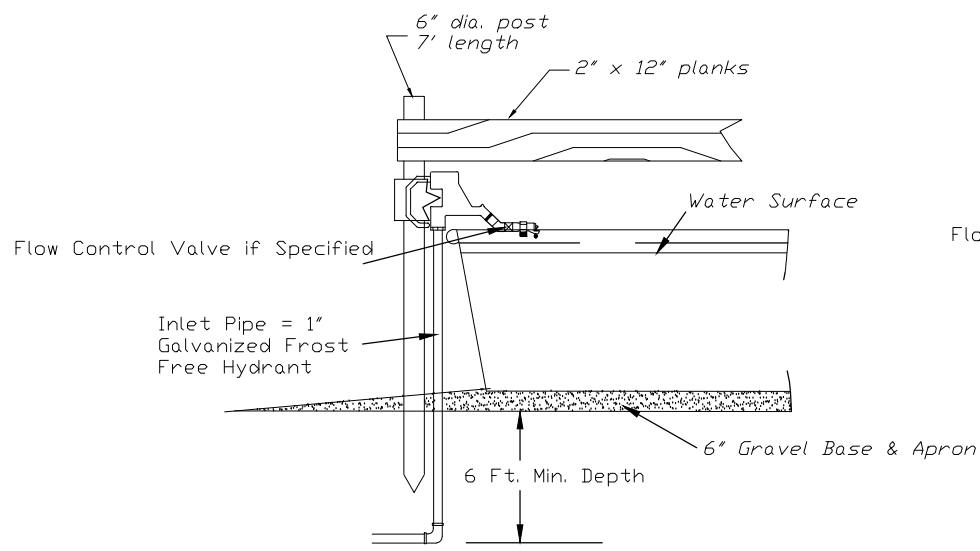
** Note: Wildlife escape ramps are required by NRCS to be installed on all stock water tanks. Refer to attached drawings for specific details.



CATTLEGUARD

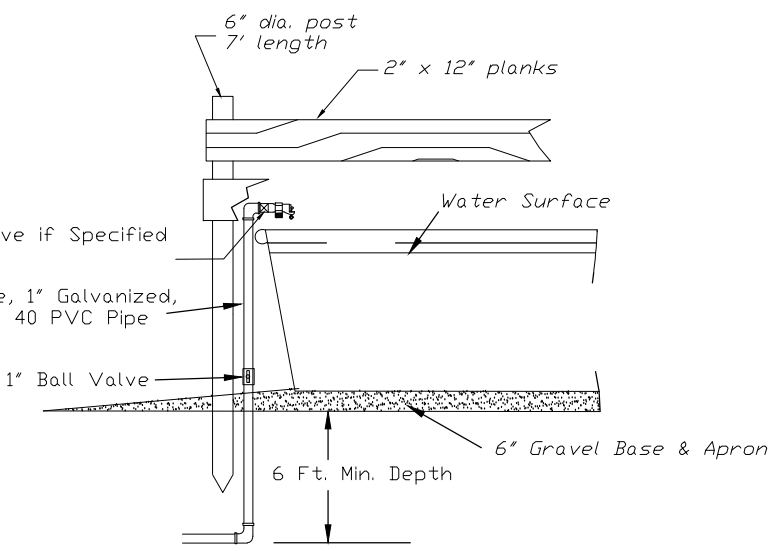


TANK OUTLET DETAIL WITH SIDE MOUNT DRAIN



ALTERNATE TANK INLET DETAIL

NOT TO SCALE



TANK INLET DETAIL

Date _____
 Designed _____
 Checked _____
 Approved _____

TYPICAL ROUND STOCK TANK INSTALLATION DETAIL
 ALTERNATE SIDE INLET/OUTLET OPTIONS
 OWNER: _____
 COUNTY: _____



Drawing Number
 ND-DWG-105

Date _____

Sheet _____ of _____