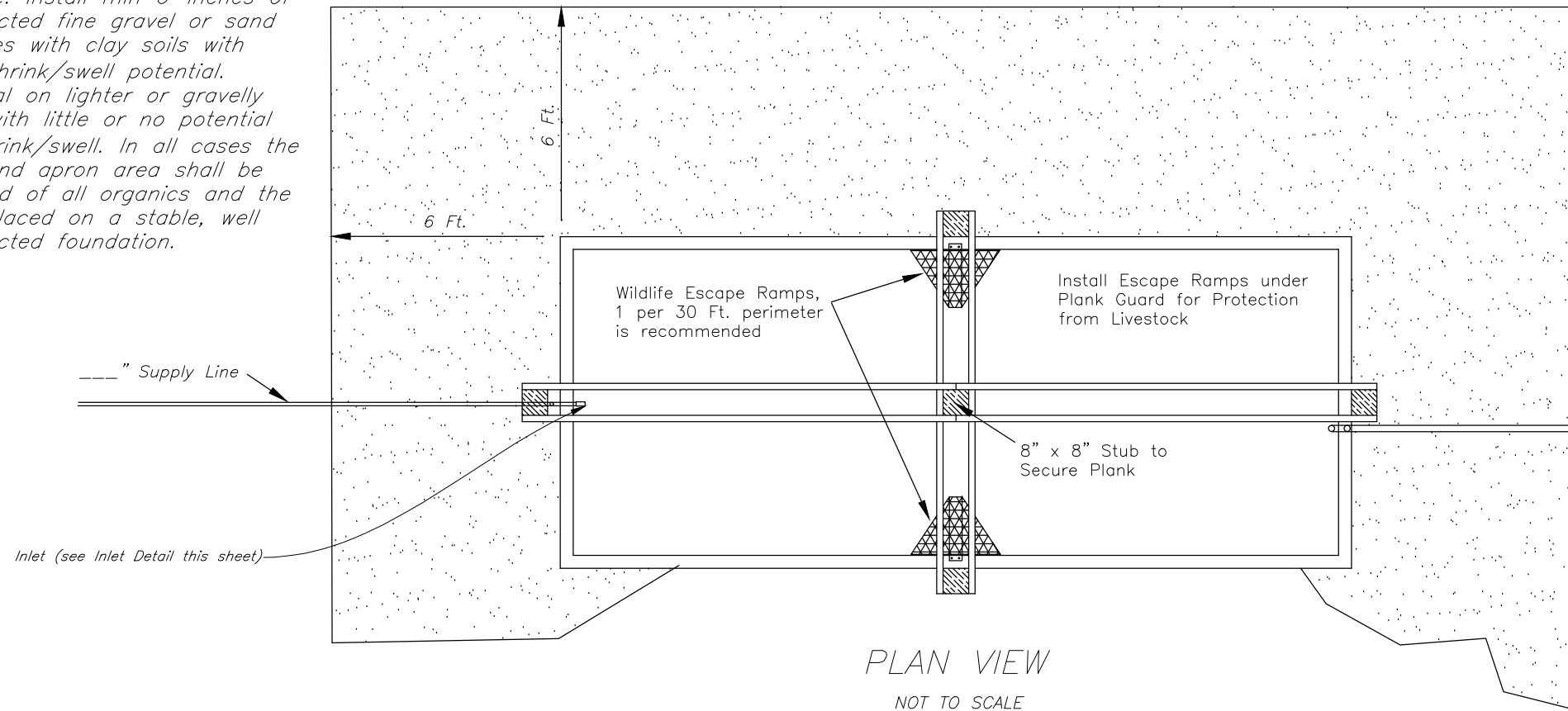


\*\*\*Note: Install min 6-inches of compacted fine gravel or sand on sites with clay soils with high shrink/swell potential. Optional on lighter or gravelly soils with little or no potential for shrink/swell. In all cases the tank and apron area shall be stripped of all organics and the tank placed on a stable, well compacted foundation.

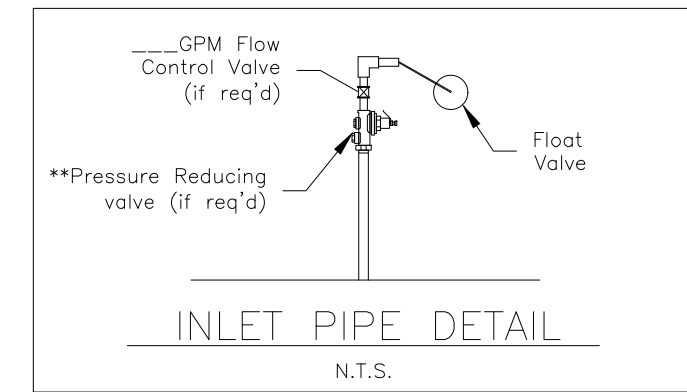


PLAN VIEW  
NOT TO SCALE

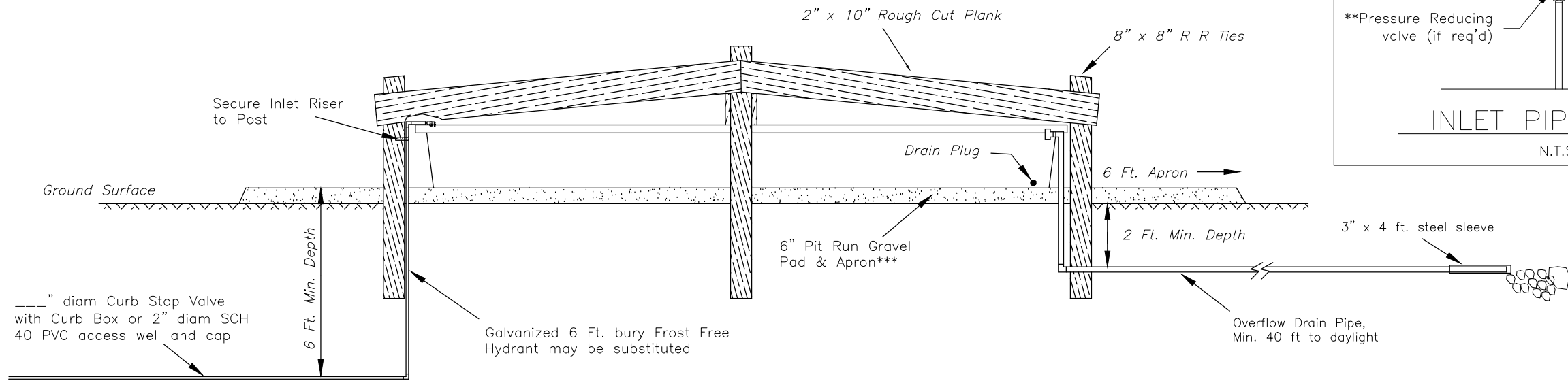
SIZE	GAL CAPACITY	CU YD GRAVEL
8' X 12'	1300	8.9
8' X 16'	1700	10.4
7' X 20'	2000	11.3
8' X 20'	2200	11.9

\*Note: Plans or product literature for all prefabricated stock tanks will be submitted to the NRCS by the Landowner for review and approval prior to purchase and installation. Submittals are not required if the proposed tank has been reviewed by NRCS previously and is listed by the agency as preapproved. Tanks made of steel, fiberglass, concrete, and rubber tires may all be acceptable. Tank capacity will be as shown on the drawings.

\*\*Note: If a Pressure Reducing Valve is required, it shall provide an operating range of \_\_\_ PSI min IN and \_\_\_ PSI out.



INLET PIPE DETAIL  
N.T.S.



ELEVATION VIEW  
NOT TO SCALE

Note  
When PVC is exposed to sun light, the exposed surfaces must be painted with a light colored coat of latex or water based acrylic paint that is chemically compatible with PVC to prevent degradation from sun light.

Date \_\_\_\_\_  
Designed \_\_\_\_\_  
Checked \_\_\_\_\_  
Approved \_\_\_\_\_

TYPICAL RECTANGLE STOCK TANK  
INSTALLATION DETAIL

OWNER: \_\_\_\_\_  
COUNTY: \_\_\_\_\_



Drawing Number  
ND-DWG-103

Date \_\_\_\_\_

Sheet \_\_\_\_\_ of \_\_\_\_\_