

All Drawings Not To Scale

Alternate Collector Layout ____ to be used in lieu of Typical Collector shown. (See Page 2)

Notes:
Cutoff wall may be constructed of concrete, clay, masonry, plastic sheeting, or sheet pile. Material must be able to provide adequate anti-seep control to supply the collection system but shallow enough to allow passage of subsurface flows to any downstream wetlands.

A shut-off valve should be installed along the outlet. For collection pipe installed without a spring box, the shut-off valve should be installed at the intersection of the collection and solid outlet pipe.

Fill for the sand/gravel collector to meet requirements of ASTM C33 for Fine Aggregate unless otherwise specified.

Specific requirements for sand/gravel collector fill:

| TABLE OF QUANTITIES | | | | |
|----------------------------|----------------------|------------|-------------|----------|
| Item | Material / Pipe Type | Dia. (in.) | Unit | Quantity |
| Spring Box | | | Ft. | |
| Concrete | | ----- | C.Y. | |
| Collection Pipe | | | Ft. | |
| Supply Pipe | | | Ft. | |
| Overflow Pipe | | | Ft. | |
| Outlet Pipe | | | Ft. | |
| Sand/Gravel Collector Fill | | ----- | C.Y. | |
| Cutoff Wall | | ----- | S.F. / C.Y. | |

Date _____
Designed _____
Checked _____
Approved _____

SPRING DEVELOPMENT DETAILS AND LAYOUT

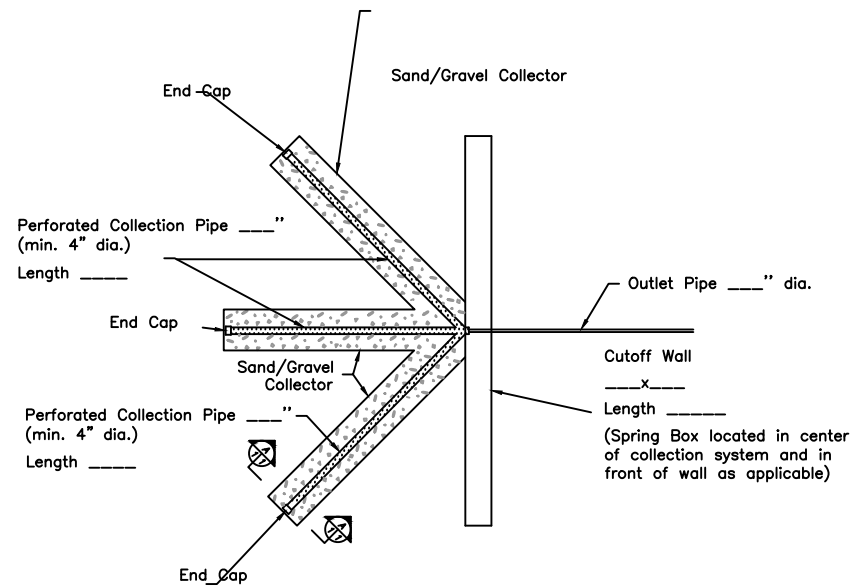
OWNER: _____
COUNTY: _____



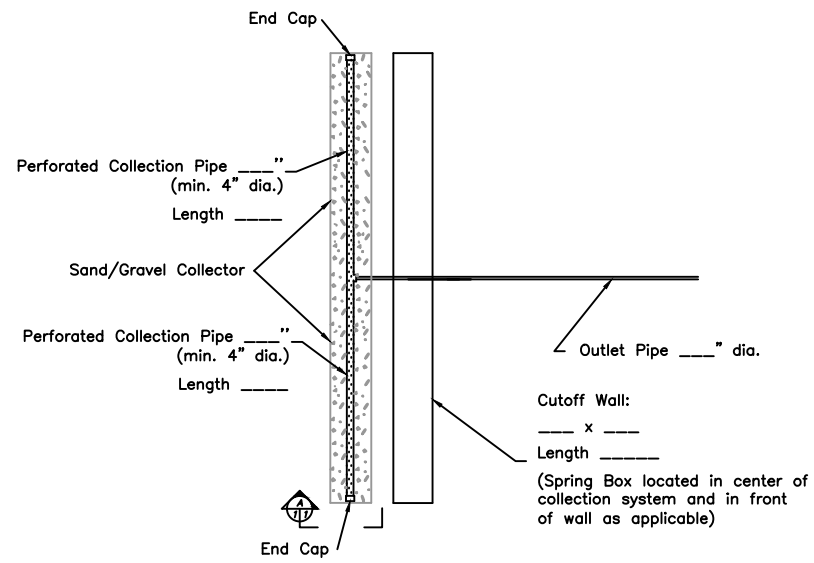
Drawing Number
ND-DWG-151a

Date _____

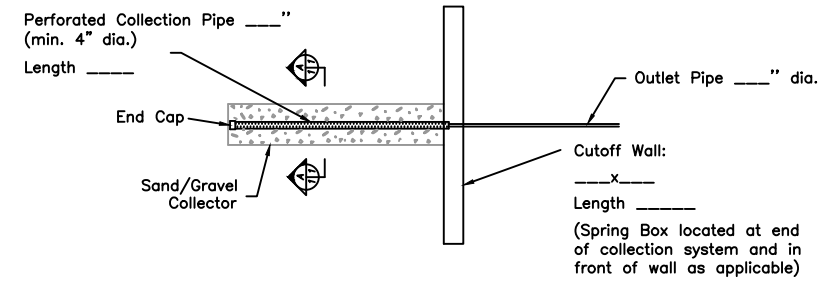
Sheet of _____



Alternate Collector Layout 1



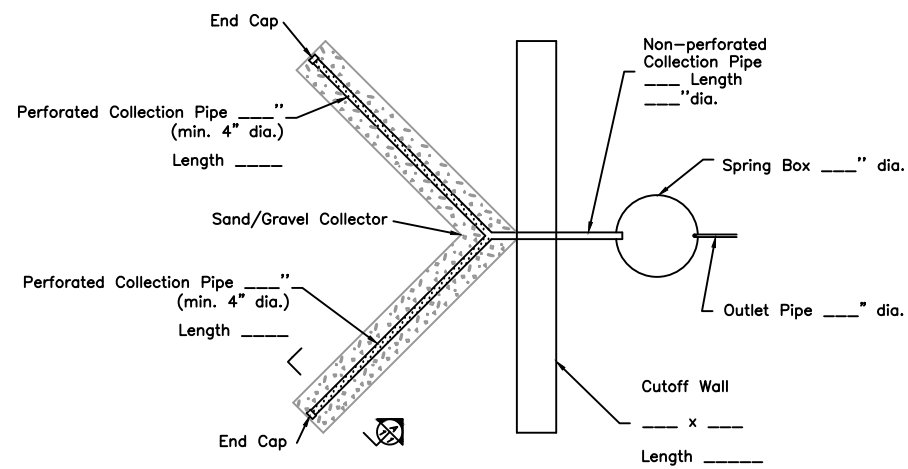
Alternate Collector Layout 3



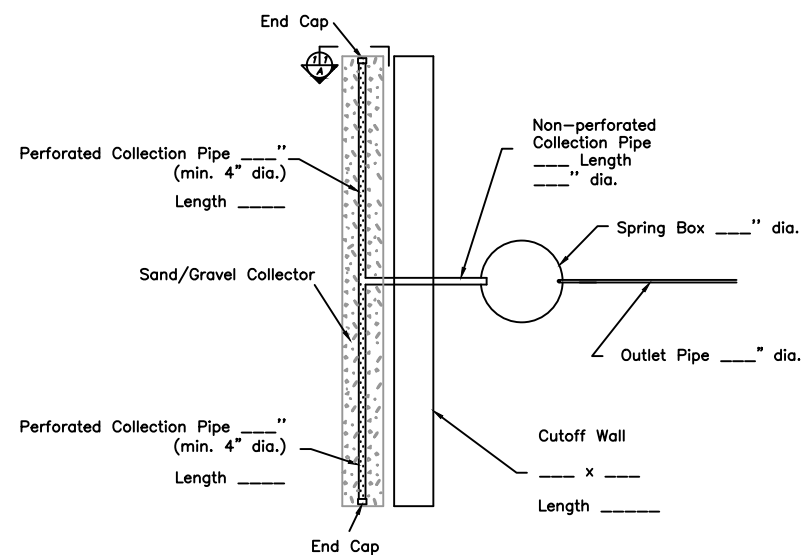
Alternate Collector Layout 5

All Drawings Not to Scale

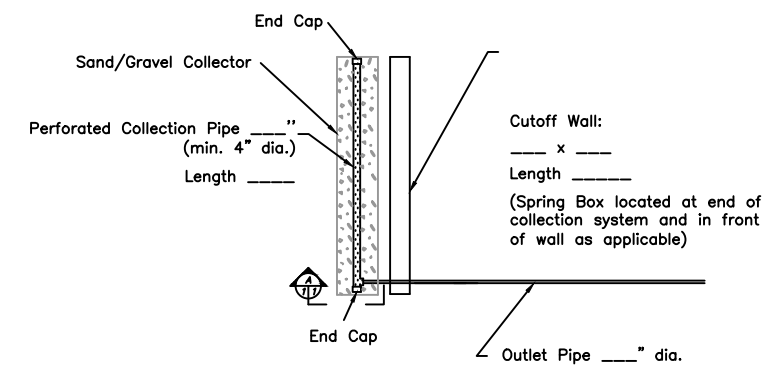
Alternate to be used: _____



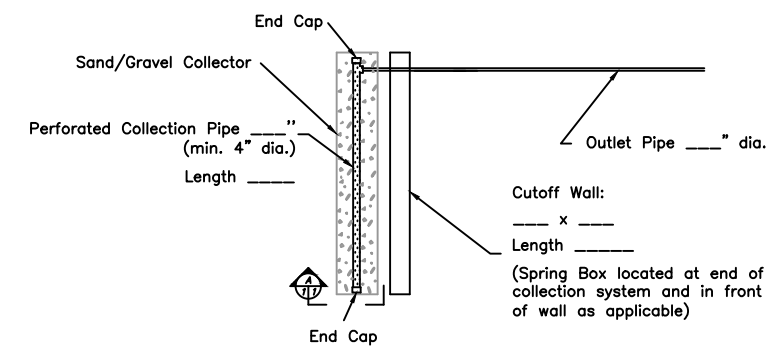
Alternate Collector Layout 2



Alternate Collector Layout 4



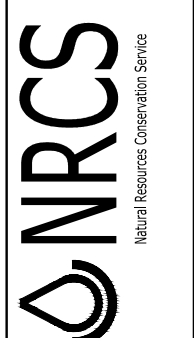
Alternate Collector Layout 6



Alternate Collector Layout 7

Date _____
 Designed _____
 Checked _____
 Approved _____

SPRING DEVELOPMENT ALTERNATE COLLECTOR LAYOUTS
 OWNER: _____
 COUNTY: _____



Drawing Number
 ND-DWG-151b
 Date _____
 Sheet _____ of _____