

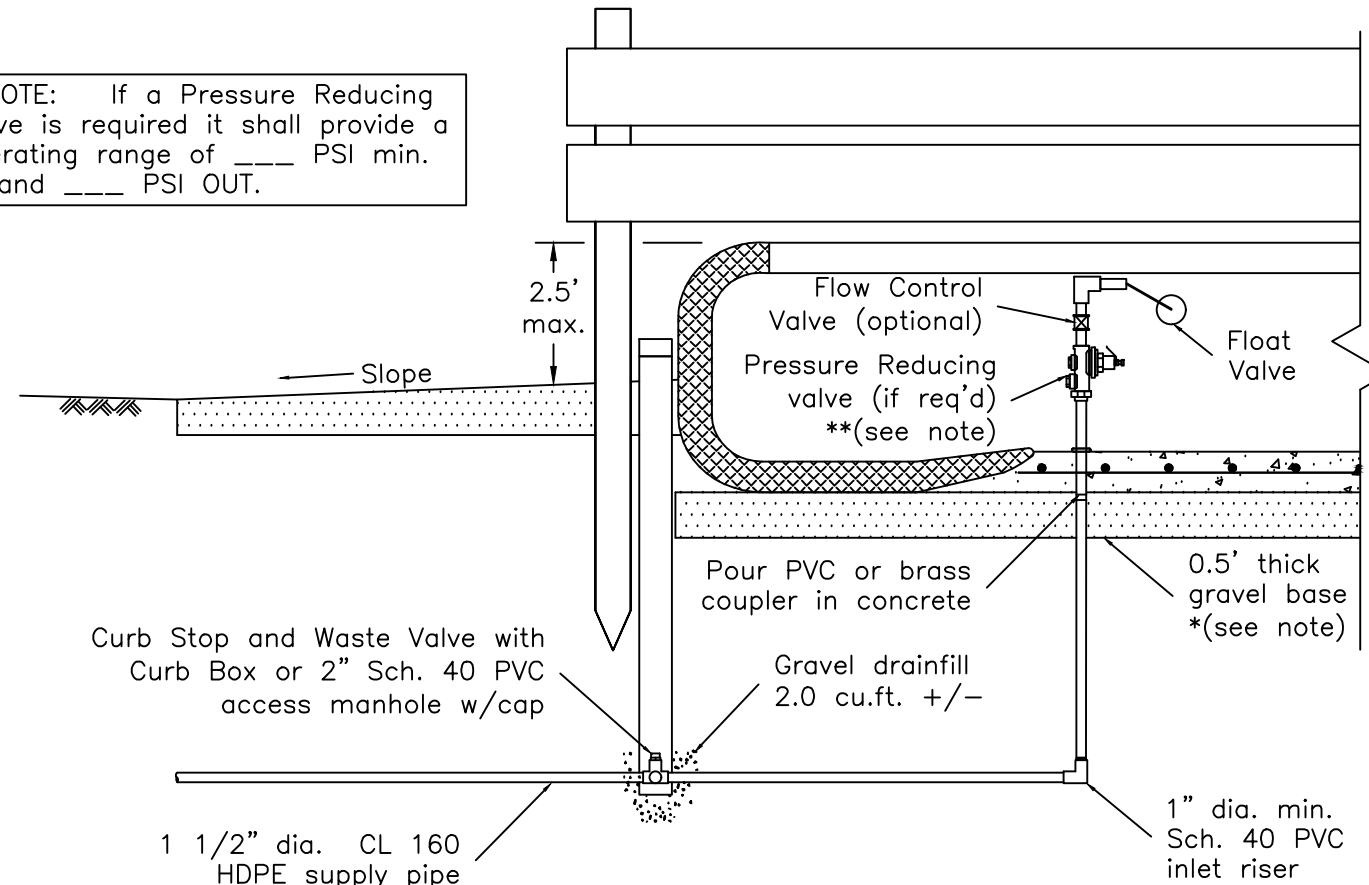
Concrete plug 6" thick min.
Recommend reinforcing with
#3 rebar @ 12" c.c.
or 6"X6" #10 wire mesh.

TANK AND OUTLET DETAILS

NTS

***NOTE:**
Install 0.5 ft. thick gravel base under tank on sites with clay soils with high shrink/swell potential. Optional on lighter or gravelly soils with little or no potential for shrink/swell. In all cases the tank and apron area shall be stripped of all organics and the tank placed on a stable, well compacted foundation.

****NOTE:** If a Pressure Reducing Valve is required it shall provide a operating range of ___ PSI min. IN and ___ PSI OUT.



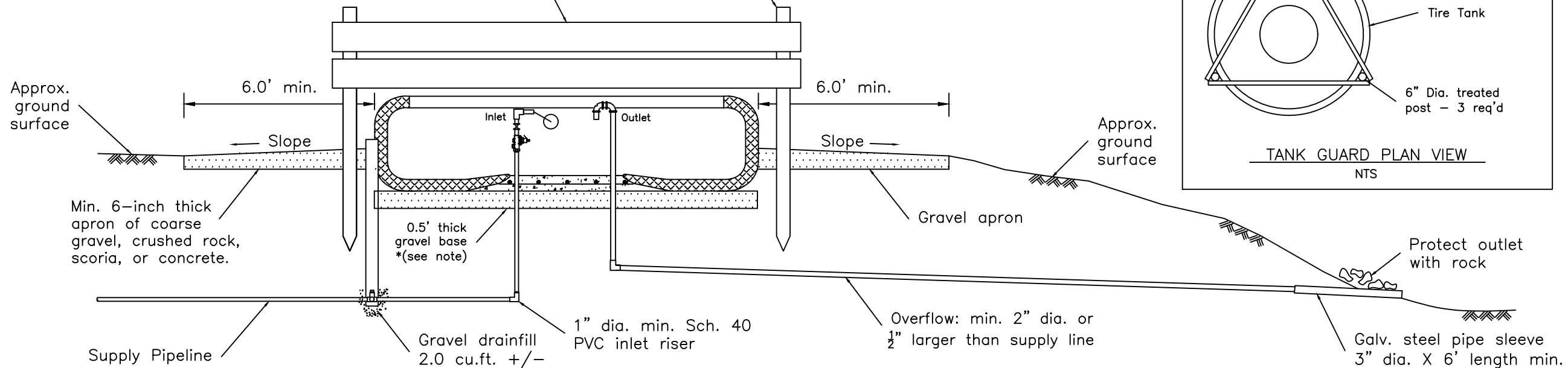
TANK AND INLET DETAILS

NTS

Note: Wildlife escape ramps are required by NRCS to be installed on all stock water tanks. Refer to attached drawings for specific details.

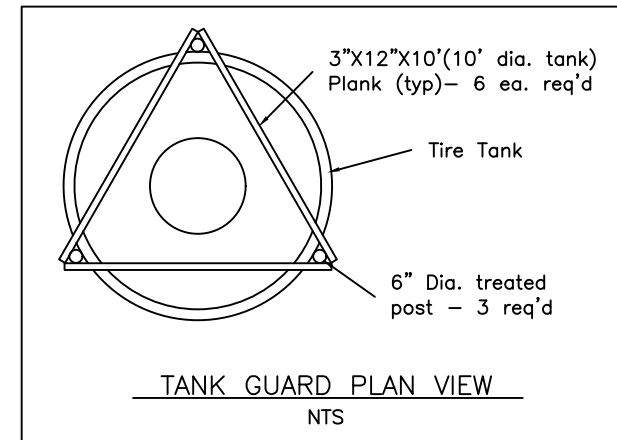
Tank Guard
2"X12" Plank
6 ea. req'd

6" ø treated wooden post
3 ea. req'd



TANK INSTALLATION SIDE VIEW

NTS



TANK GUARD PLAN VIEW

NTS

Date _____
Designed _____
Checked _____
Approved _____

RUBBER TIRE TANK DETAIL

OWNER: _____
COUNTY: _____



Drawing Number
ND-DWG-107

Date _____

Sheet of _____