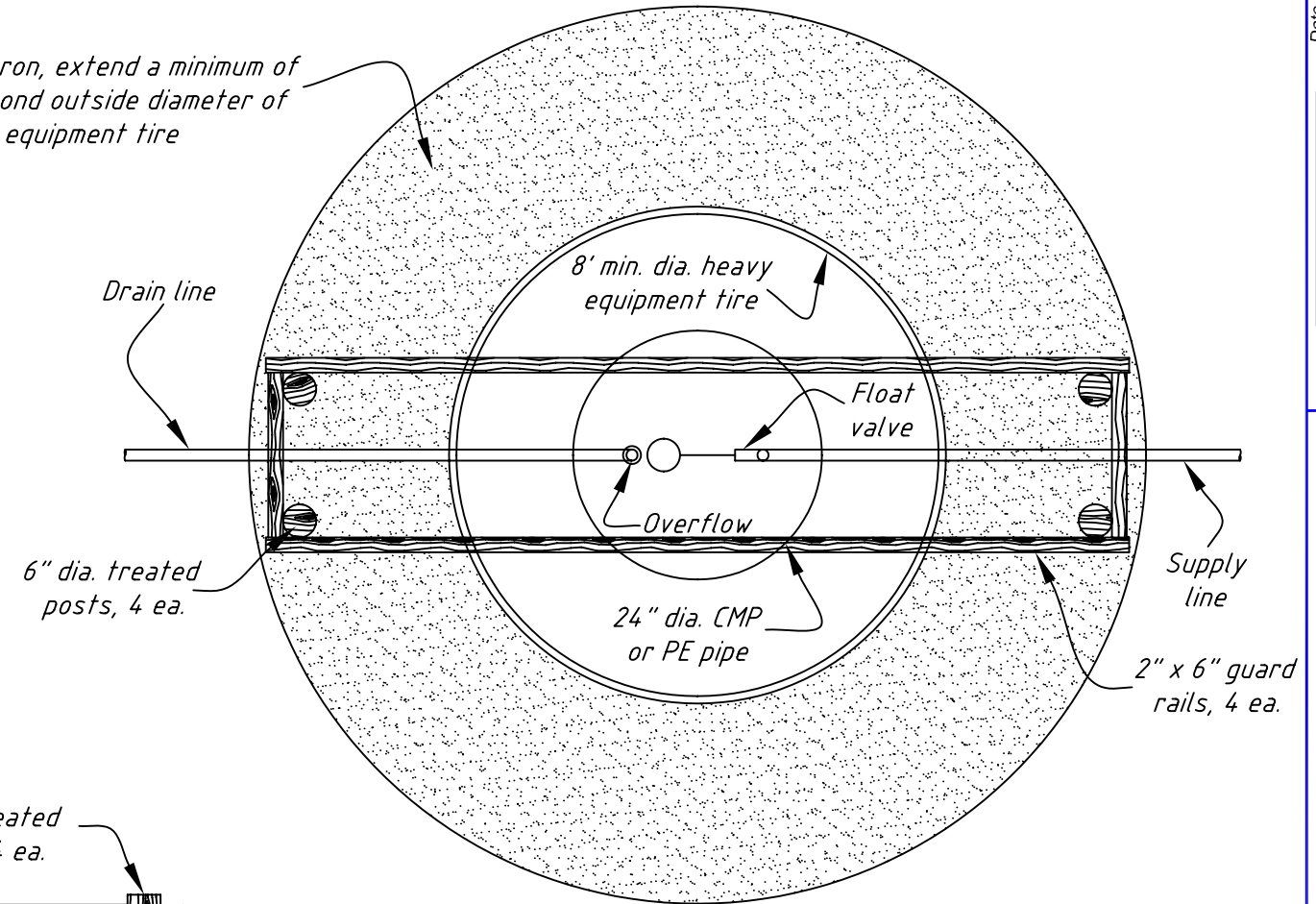


NOTES:

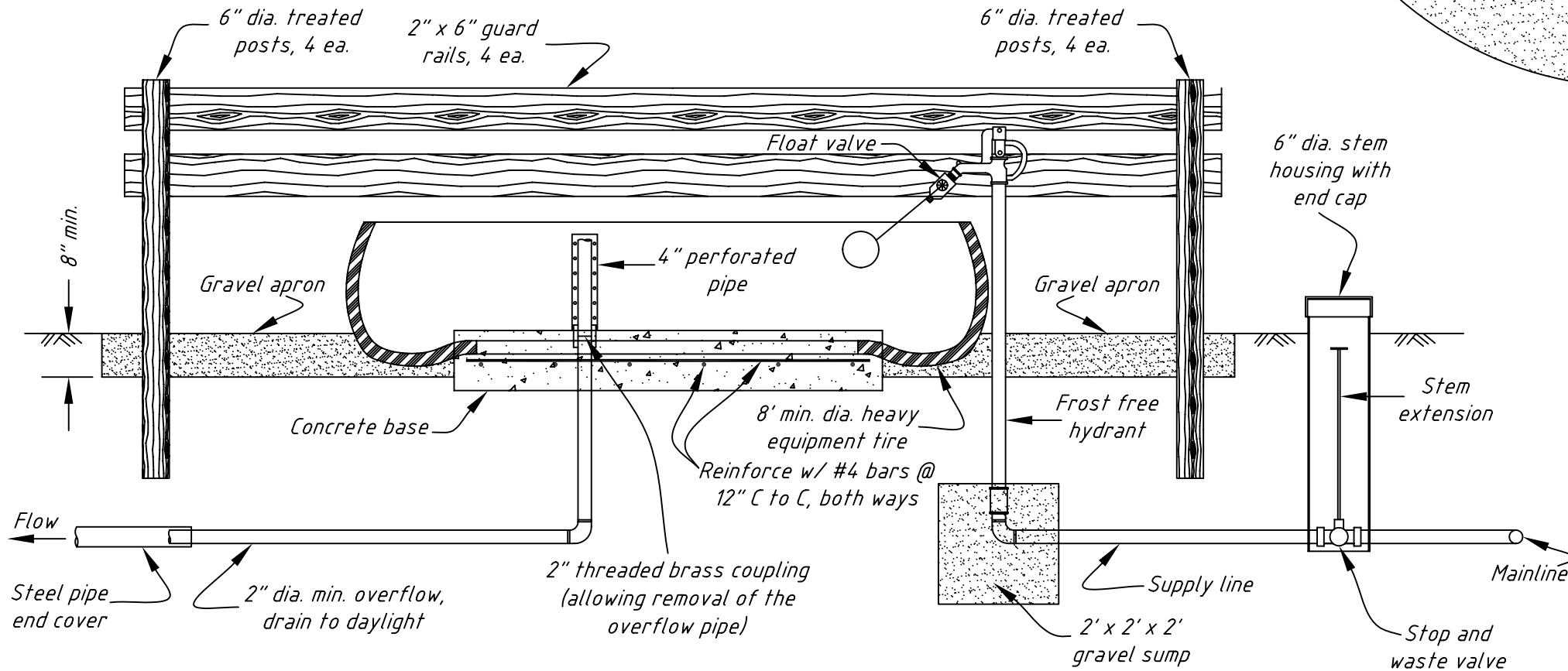
1. Supply pipeline shall be buried a minimum of 5 feet deep.
2. Drain pipe shall be 2" minimum diameter.
3. Minimum tire size is 8 ft. dia. x 2 ft. deep.
4. Earth below tank shall be hand compacted.

Table of Quantities			
Item	Unit	Minimum Quantity	As-Built
Gravel apron	C.Y.	3.7	
Gravel sump	C.F.	8.0	
Concrete	C.Y.	1.6	
6" Dia. Posts, 8 ft. long	EA.	4	
2" x 6" treated lumber	FT.	72'-0"	

Gravel apron, extend a minimum of 4 ft. beyond outside diameter of equipment tire



PLAN VIEW



SECTIONAL ELEVATION

Date: _____
 Designed: _____
 Drawn: _____
 Checked: _____
 Approved: _____

Cooperator: _____
Rubber Tire Stock Tank Details
 _____ County, Wyoming
 _____ County Conservation District



File No. _____
 Drawing No. 614-03
 Sheet _____ of _____