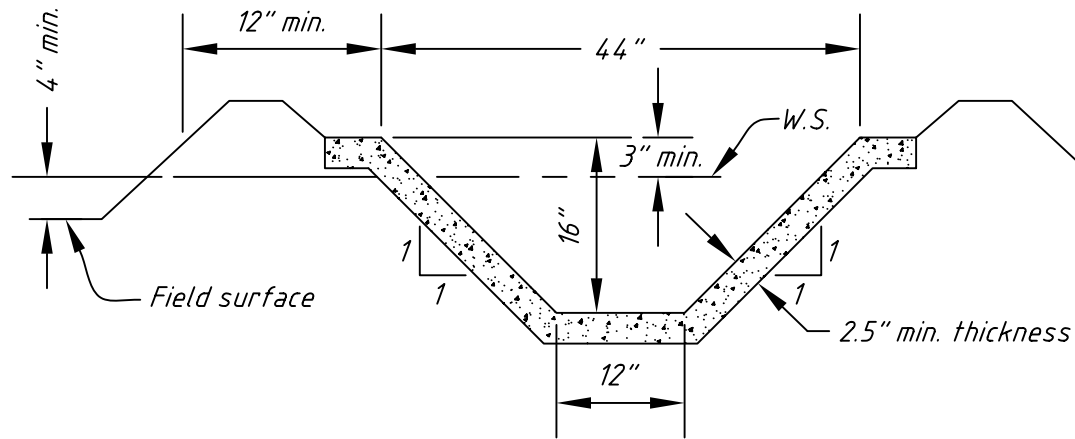


NOTES:

1. Drawing applicable to siphon tube irrigation and flows between 1.5 cfs and 2.5 cfs, and ditch slopes of 0.0003 ft./ft. or greater.
2. Construction shall be in accordance with Wyoming construction specification 428-A.



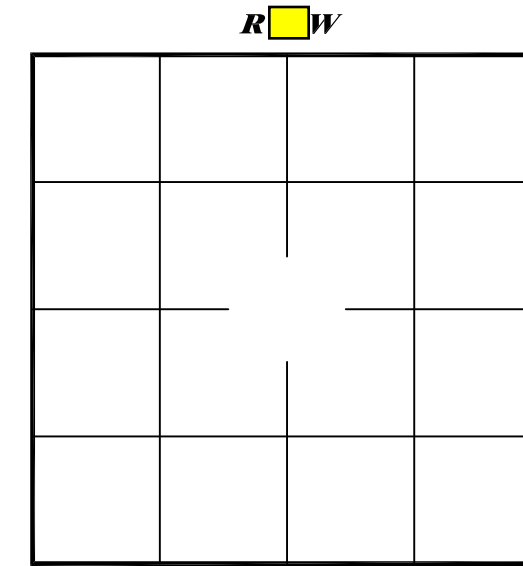
DITCH CROSS SECTION

GENERAL INFORMATION:

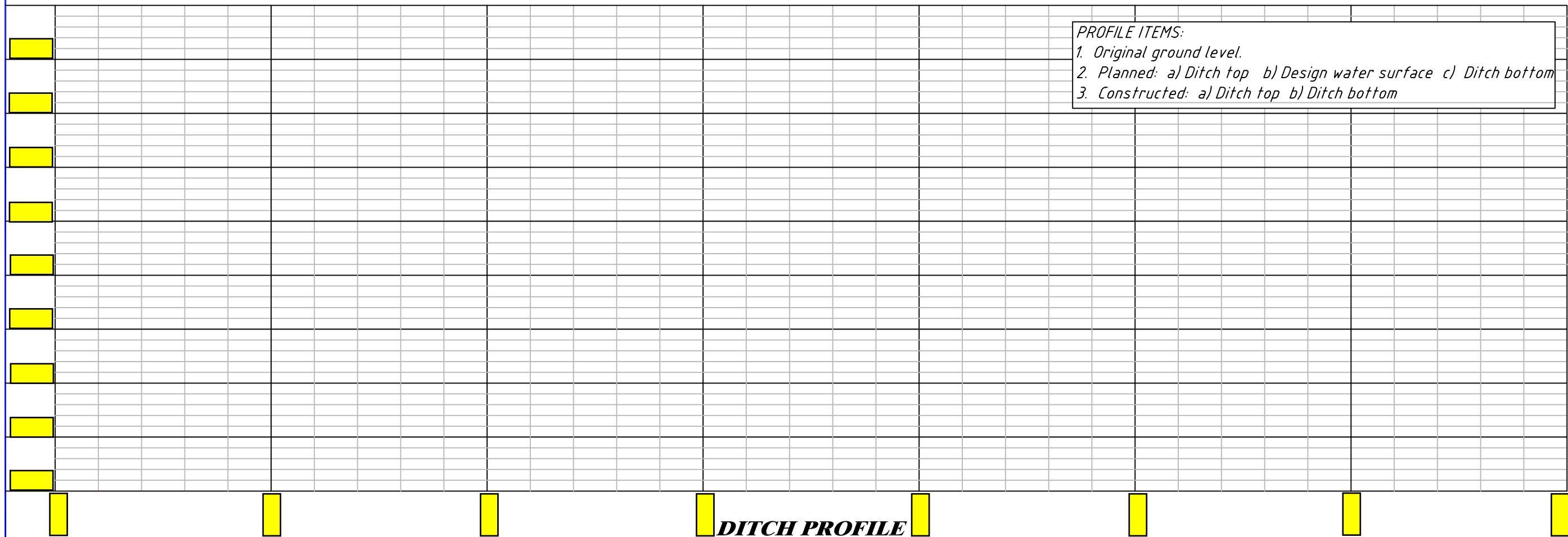
Design Flow [] cfs.
 Method of Curing []
 Score Interval [] ft.
 Ditch Slope [] ft/ft. (min.) [] ft/ft. (max.)

T.B.M. DATA

Elevation: []
 Description: []
 Location: []



LOCATION MAP
 Scale: 1" = []



DITCH PROFILE

Date []

Designed []

Drawn []

Checked []

Approved []

Cooperator: [] Concrete Ditch Lining

USDA NRCS
 Natural Resources Conservation Service

County Conservation District [] County, Wyoming

File No. []

Drawing No. 428-02

Sheet [] of []