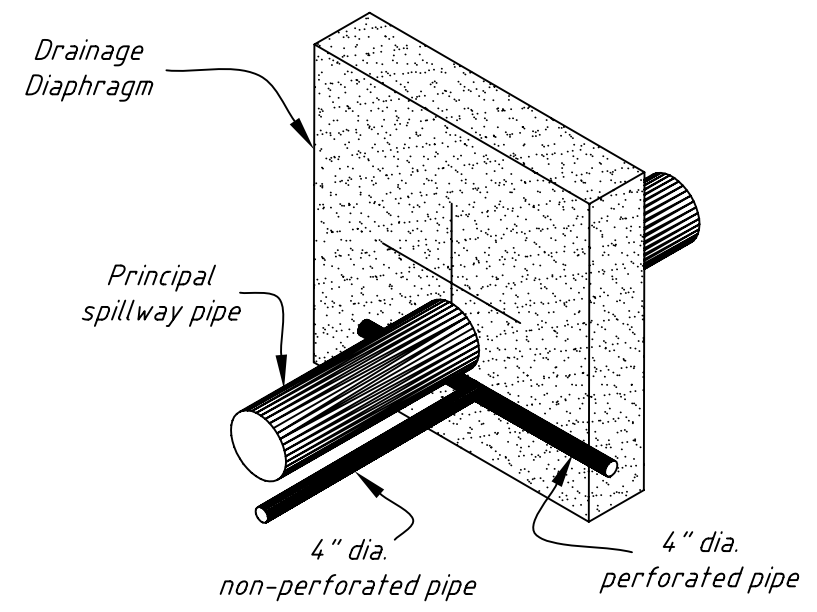


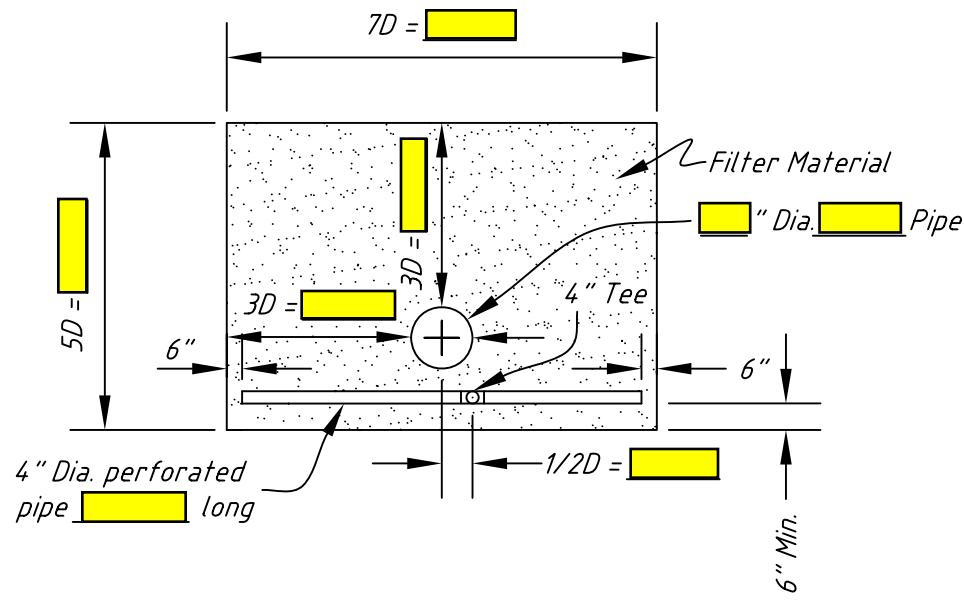
**SECTION ON CENTERLINE OF CONDUIT**



**TYPICAL ISOMETRIC**

**TABLE OF QUANTITIES**

ITEM	UNIT	QUANTITY
Filter Material	Cu. Yds.	
4" Dia. Perforated PVC Pipe	Lin. Ft.	
4" Dia. NonPerforated PVC Pipe	Lin. Ft.	
4" PVC Pipe Tee	Ea.	



**FILTER DIAPHRAGM UPSTREAM VIEW**

**ASTM C-33 Fine Aggregate Gradation for Filter Material**

Sieve Size	Percent Passing
3/8	100
4	95-100
10	74-94
20	35-75
30	25-60
50	10-30
100	2-10

- Construction Notes:**
- The 4" Dia. pipe shall be ASTM D1785, SCH 40, PVC.
  - Seepage protection filter material shall be compacted as specified in the construction specification.
    - Each layer of sand material shall be flooded prior to compaction.
    - Compaction shall be accomplished while the material is wet.
    - Each layer shall be compacted by a minimum of 2 passes of a hand-directed, vibratory compactor over the entire layer surface.
    - Layer thickness shall not exceed 12 inches after compaction.
  - Provide an animal guard on the 4" drain outlet pipe. Drill 2-1/2" dia. holes, on CL 6" from end of pipe and place a 3/8" dia., 5-1/2" long galvanized steel bolt horizontally through them and secure with a nut.

Date: \_\_\_\_\_

Designed: \_\_\_\_\_

Drawn: \_\_\_\_\_

Checked: \_\_\_\_\_

Approved: \_\_\_\_\_

Cooperator: \_\_\_\_\_

**Filter and Drainage Diaphragm**

County Conservation District: \_\_\_\_\_ County, Wyoming

**USDA NRCS**

Natural Resources Conservation Service

File No. \_\_\_\_\_

Drawing No. 378-07

Sheet \_\_\_\_\_ of \_\_\_\_\_