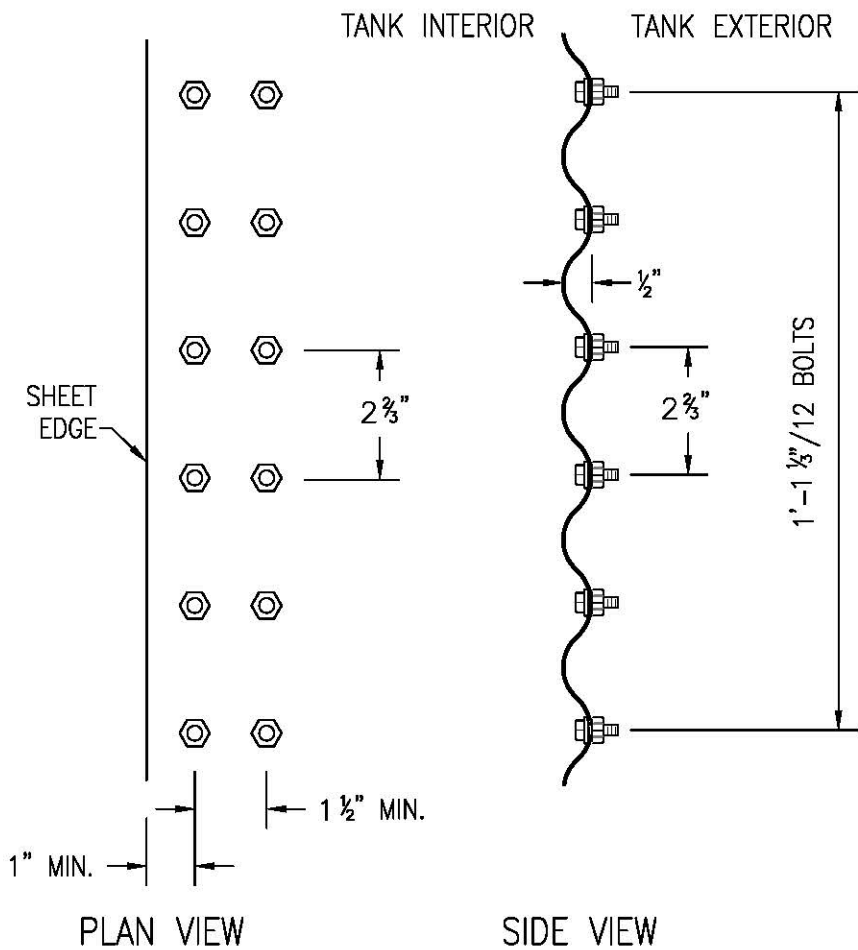
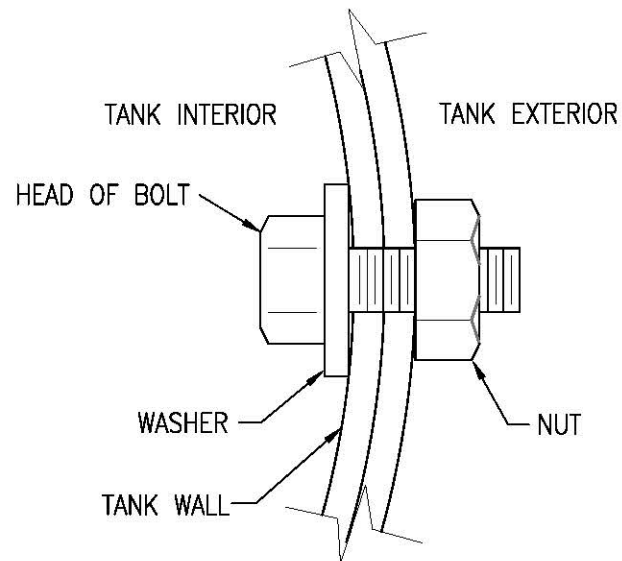
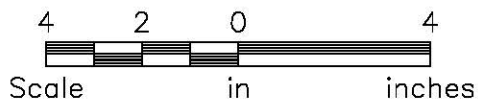


$\frac{3}{8}$ " diameter bolt – $2\frac{2}{3}$ " x $\frac{1}{2}$ " corrugated steel



NOTE: Bolt in bottom of each corrugation.

FIGURE 2 – DOUBLE ROW



BOLT & NUT DETAIL
NOT TO SCALE

COUNTY	PROJECT			FORM NO. REV:11/11
FIELD OFFICE	DRAWN BY CR	DATE 5/05	CHECKED BY JL	DATE 5/05
SUBJECT 3/8" DIAMETER BOLTS – DOUBLE ROW				JOB NO.
SHEET ____ OF ____				HI-ENG-044